

# HDS-14XT

## Four-Post Lift

14,000-lb. Capacity, High-Rise

SKU# 5175624

### MORE ROOM, MORE COMFORT, MORE PRODUCTIVITY

Step up your service capabilities and technician comfort with the BendPak HDS-14XT four-post lift. Purpose-built to effortlessly handle heavy-duty vehicles, this lift provides unparalleled versatility and functionality, enhancing the efficiency of your shop. With an outstanding 14,000-lb. lifting capacity, extended 227.5-inch runways, and a taller rise height, it accommodates vehicles ranging from limousines and extended trucks to large SUVs with ease.

### ELEVATE YOUR EFFICIENCY

Featuring an impressive 83-inch maximum rise and an 89.5-inch maximum lifting height, the HDS-14XT gives your technicians plenty of overhead clearance, enabling them to stand upright comfortably while performing essential undercar maintenance tasks. Reduced physical strain means increased productivity and satisfaction for your team, resulting in higher-quality service and quicker turnaround times.

### EXCEPTIONAL DURABILITY AND REDUCED MAINTENANCE

The HDS-14XT is engineered with heavy-duty durability and longevity in mind. It features dual-hub, massive 10.5-inch diameter cable sheaves to dramatically reduce cable wear over time. Equipped with four heavy-duty, 1/2-inch stainless-steel aircraft-quality lifting cables, each boasting a breaking strength exceeding 14,000 lbs., this lift provides an ideal balance of strength, abrasion resistance, and long-term fatigue protection.

### BUILT-IN SAFETY AT EVERY LEVEL

Safety is integral to the HDS-14XT. Its automatic spring-loaded safety locks engage continuously as the lift rises, and adjustable safety ladders ensure precise runway leveling, even on uneven flooring. Independent backup slack-cable safety latches provide an additional layer of protection. All safety mechanisms, cables, and sheaves are fully enclosed, significantly minimizing pinch points and enhancing overall operational safety.



### FEATURES

- ALI Certified
- 14,000-lb. lifting capacity
- Mid to long-style approach ramps for low ground clearance vehicles
- Runways include rail-kit for optional accessories
- Single hydraulic cylinder mounted underneath runway
- Fully enclosed lifting cables, safety locks and sheaves
- Internal anti-sway slider blocks in each column
- Pneumatic push-button safety release
- Heavy-duty 1/2" aircraft cable and 1.75" roller axles
- Safety locks enclosed in columns minimize pinch points
- Oversized sheave diameter reduces cable fatigue
- Oversized self-lubricating cable rollers
- Multi-position safety locks in each column
- Customizable power unit location
- Independent backup slack-cable safety latches

Not all BendPak lift models meet the standards as prescribed by ANSI/ALI ALCTV-2017 or ANSI/UL 201. Consult [www.autolift.org](http://www.autolift.org) for a complete list or contact BendPak via [contact@bendpak.com](mailto:contact@bendpak.com).

1-800-253-2363 • [sales@bendpak.com](mailto:sales@bendpak.com)  
30440 Agoura Road Agoura Hills, CA 91301



**BendPak**

# HDS-14XT

## Four-Post Lift

14,000-lb. Capacity, High-Rise

SKU# 5175624

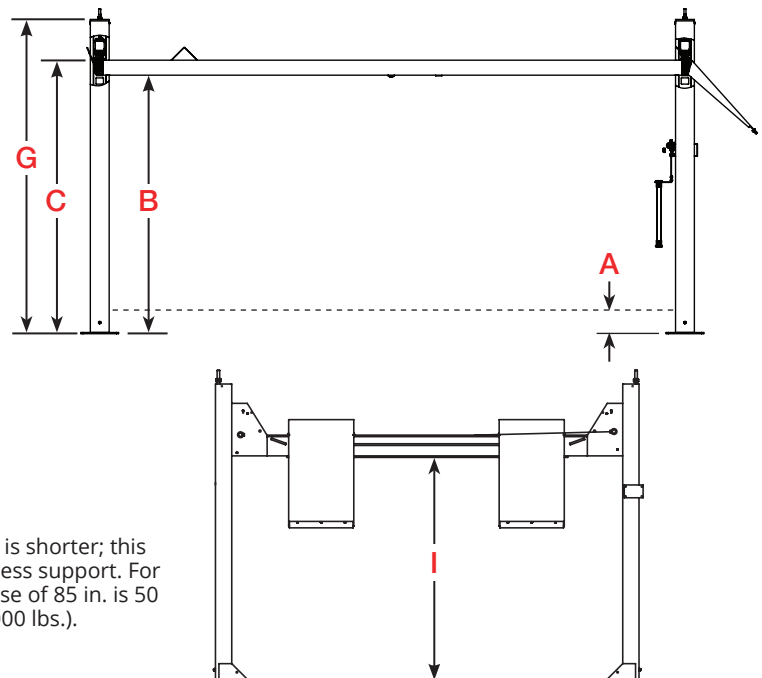
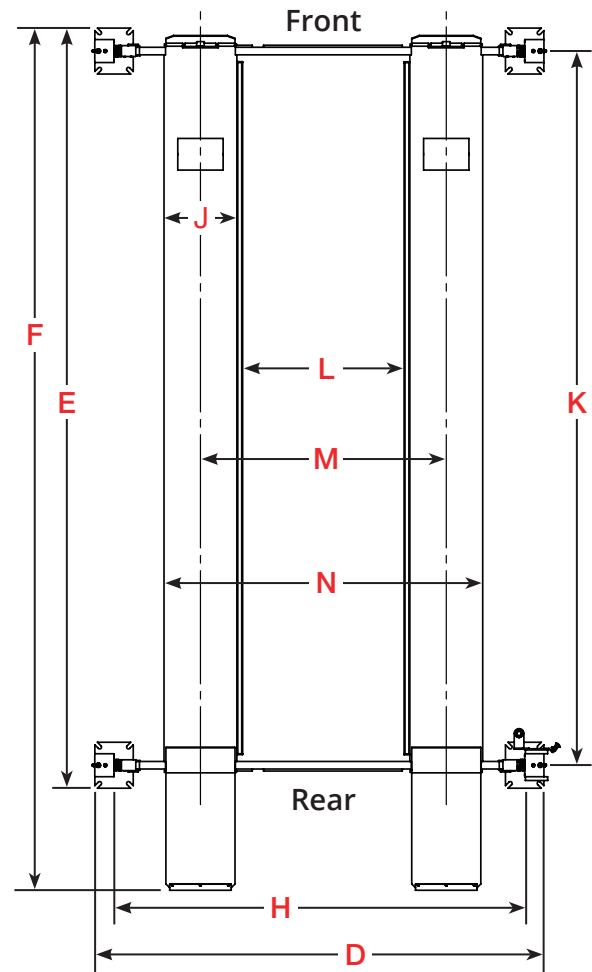
### SPECIFICATIONS

Lifting Capacity	14,000 lbs. / 6,350 kg
Maximum Capacity – Front Axle	7,000 / 3,175 kg
Maximum Capacity – Rear Axle	7,000 / 3,175 kg
<b>A</b> Min. Runway Height	7.5 in. / 192 mm
<b>B</b> Maximum Rise	82.75 in. / 2,104 mm
<b>C</b> Maximum Lifting Height	89.5 in. / 2,275 mm
<b>D</b> Overall Width $\pm$ .125 in. / 3 mm	130 in. / 3,304 mm
<b>E</b> Outside Length	243 in. / 6,170 mm
<b>F</b> Overall Length	272 in. / 6,907 mm
<b>G</b> Height of Post	104 in. / 2,643 mm
<b>H</b> Distance Between Posts	120 in. / 3,050 mm
<b>I</b> Drive-thru Under Clearance	80.75 in. / 2,052 mm
<b>J</b> Runway Width	20 in. / 508 mm
<b>K</b> Runway Length	227.5 in. / 5,777 mm
<b>L</b> Width Between Runways	35.5 in. - 41.5 in. / 876 mm - 1,058 mm
<b>M</b> Runway Centerline	57.5 in. - 64.5 in. / 1,460 mm - 1,642 mm
<b>N</b> Outside Edge of runway	77.5 in. - 84.5 in. / 1,968 mm - 2,150 mm
Max. Load Operating Pressure	2,600 psi
Min. Wheelbase @ Rated Cap. <sup>1</sup>	160 in. / 4,064 mm
Min. Wheelbase @ 75% Capacity <sup>1</sup>	140 in. / 3,556 mm
Min. Wheelbase @ 50% Capacity <sup>1</sup>	115 in. / 2,921 mm
Min. Wheelbase @ 25% Capacity <sup>1</sup>	95 in. / 2,413 mm
Locking Positions	18 spaced every 4 in. / 102 mm
Motor <sup>2</sup>	220VAC, 60 Hz, 1 Ph

Specifications subject to change without notice.

<sup>1</sup> The Lift supports less weight than its rated capacity if the Vehicle's wheelbase is shorter; this is because the wheels are closer to the middle of the Runways, where there is less support. For example, the maximum weight allowed on the Lift for a Vehicle with a wheelbase of 85 in. is 50 percent of the Lift's rated capacity (or 7,000 lbs. when the rated capacity is 14,000 lbs.).

<sup>2</sup> Special voltages available upon request.



1-800-253-2363 • sales@bendpak.com  
30440 Agoura Road Agoura Hills, CA 91301



**BendPak**