



## BETA 951

T-handle wrenches with three hexagon male ends



### Certifications and Standards

o

## Features

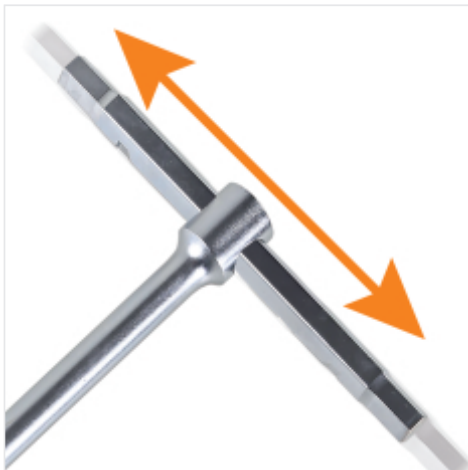
The T-handle allows a wider grip, with a long arm offering more leverage, making it easier to unscrew and tighten.

### Triple hexagon socket

The triple hexagonal design ensures optimal engagement on the screw, reducing the risk of slippage during use. This innovative design allows more force to be applied safely and precisely, improving efficiency in tightening and loosening, preserving both wrench and screw over time.

### Chrome-plated finish

The chrome-plating of the Beta 951 wrench provides corrosion resistance and a smooth, shiny finish. This process protects the wrench from wear and external influences, increasing its service life. The chrome plating not only improves the appearance, but also makes it easier to clean the tool after use, making it ideal for demanding



### Sliding rod with safety catch

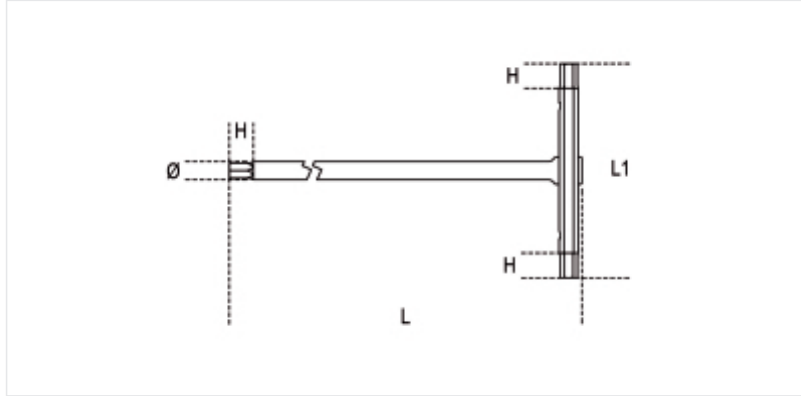
The manoeuvring rod can slide and lock in the desired position, thanks to a catch that prevents the rod from accidentally coming out.



### Strength and durability



Hexagon sizes 2 to 6 mm are phosphated for precise tolerances, while sizes 8 to 14 mm are chrome-plated for superior wear protection.

## Dimensions



## Certifications and Standards

## Coded items

	Art.	mm	L mm	L1 mm	Ø mm	H mm	 g
009510521	951 2	2	125	63	4,0	5,5	20
009510525	951 2,5	2,5	150	63	4,0	6	20
009510530	951 3	3	150	63	4,0	6,5	22
009510535	951 3,5	3,5	175	76	5,5	7,5	46
009510540	951 4	4	175	76	5,5	8	47
009510545	951 4,5	4,5	195	87	6,5	8,5	75
009510550	951 5	5	195	87	6,5	9	76
009510560	951 6	6	215	99	8,0	10	117
009510570	951 7	7	230	109	9,0	11	163
009510580	951 8	8	250	122	10,0	12	219
009510590	951 9	9	265	132	11,0	13	289
009510610	951 10	10	280	142	12,0	14	371
009510620	951 12	12	305	160	15,0	15	613
009510640	951 14	14	330	178	17,0	17	884

Scan the QR Code to access the web tab

Specs, media and documentation in one click.

