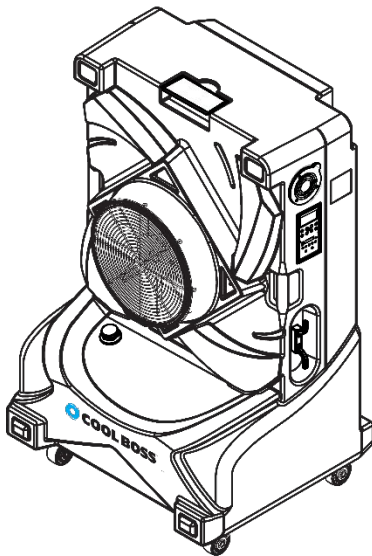


Cool Boss™ Portable Evaporative Air Cooler Installation and Operation Manual *Airflow Xtreme*

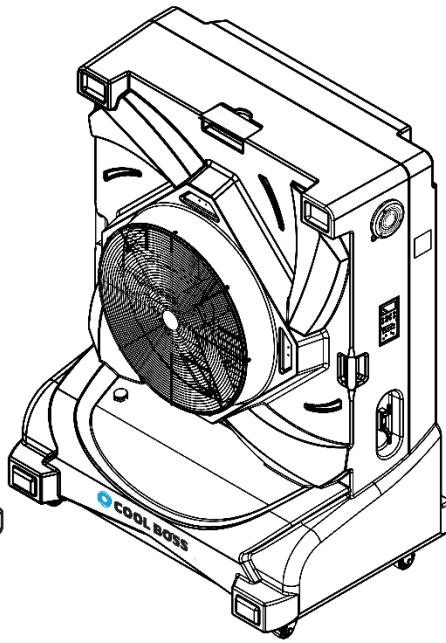
Manual Revision A7 — September 2024 — Manual P/N 5900271

Models:

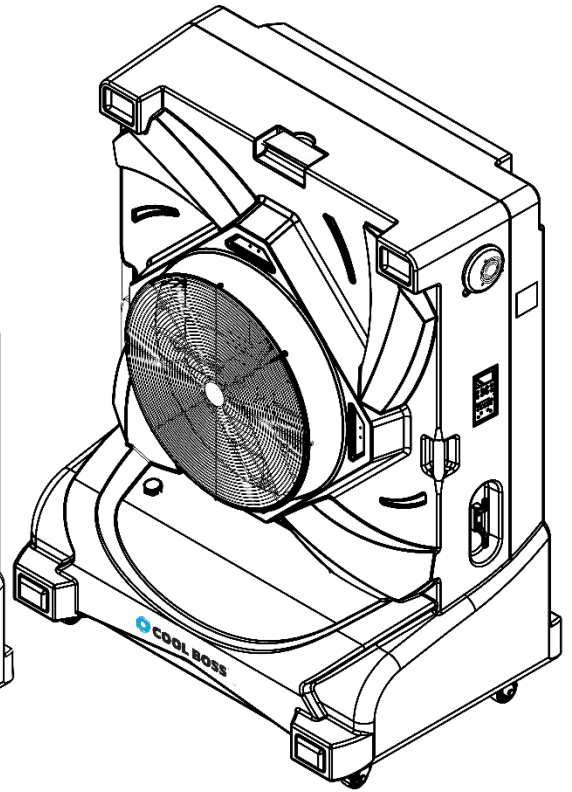
- CB-16L / H
- CB-28L / H
- CB-36L / H



CB-16L/H



CB-28L/H



CB-36L/H

DANGER

Read the *entire contents* of this manual *before* using this product. Failure to follow the instructions and safety precautions in this manual can result in severe injury or death. Make sure all other operators also read this manual. Keep the manual near the product for future reference. **By proceeding with setup and operation, you agree that you fully understand the contents of this manual and assume full responsibility for product use.**

Manual. Cool Boss™ Portable Evaporative Air Cooler, *Installation and Operation Manual*, P/N 5900271, Manual Revision A7, September 2024.

Copyright. Copyright © 2024 by BendPak Inc. All rights reserved. No part of this manual may be reproduced, adapted, translated, or transmitted by any means, electronic or mechanical, for any purpose or in any form, without prior written permission of BendPak Inc.

Trademarks. Cool Boss, the Cool Boss logo, and BendPak are trademarks of BendPak Inc. All other company, product, and service names are used for identification only. All trademarks and registered trademarks mentioned in this manual are the property of their respective owners.

Limitations. Every effort has been made to ensure complete and accurate instructions are included in this manual. However, product updates, revisions, and/or changes may have occurred since this manual was published. BendPak reserves the right to change any information in this manual without incurring any obligation for equipment previously or subsequently sold. BendPak is not responsible for typographical errors in this manual.

Warranty. The Cool Boss warranty is more than a commitment to you: it is also a commitment to the value of your new product. Visit www.coolboss.com/warranty for complete warranty information.

Safety. Your new product was designed and manufactured with safety in mind. Your safety also depends on proper training and thoughtful operation. Do not set up, operate, maintain, or repair your Cool Boss without reading and understanding this manual and the labels on the unit.

Owner Responsibility. In order to maintain your product properly and to ensure operator safety, it is the responsibility of the product owner to read and follow these instructions:

- Follow all setup, operation, and maintenance instructions.
- Make sure product setup conforms to all applicable local, state, and federal codes, rules, and regulations, such as state and federal OSHA regulations and electrical codes.
- Read and follow all safety instructions. Keep them readily available for operators.
- Make sure all operators are properly trained, know how to safely operate the unit, and are properly supervised.
- Do not operate the product until you are certain that all parts are in place and operating correctly.
- Carefully inspect the product on a regular basis and perform all maintenance as required.
- Service and maintain the unit only with approved replacement parts.
- Keep all instructions permanently with the product and make sure all labels are clean and visible.

Unit Information. Enter the Model Number, Serial Number, and Date of Manufacture from the label on your unit. This information is required for part or warranty issues.

Model: _____

Serial: _____

Date of Manufacture: _____



		Theodore, AL USA www.coolboss.com
MODEL NUMBER		
DESCRIPTION		
VOLTAGE		
DATE CODE	SERIAL NUMBER	
 DANGER! Disconnect Power Before Servicing		UPC
CE EAC		
WARRANTY VOID IF DATA PLATE IS REMOVED		MADE IN CHINA

Table of Contents

Introduction	3	Operation	23
Shipping Information	4	Maintenance	27
Safety Considerations	4	Troubleshooting	30
Frequently Asked Questions	6	Parts Diagram	33
Specifications	7	Labels	36
Components	9	Maintenance Log	39
Setup	13		

Introduction


This manual describes three models of the Cool Boss Portable Evaporative Air Cooler, which keeps your shop or workplace cool and comfortable even on the hottest summer days. The Cool Boss models described in this manual feature two amplified speakers paired with Bluetooth®, for streaming audio from smart devices and a USB Port for charging portable devices. Additionally, the new Cool Boss Airflow Extreme computer-optimized fan blade technology provides an increase in airflow over previous models without compromising sound levels.

Three models are available with fan diameters of 16 in. (406 mm), 28 in. (711 mm), and 36 in. (914 mm). Each model may be ordered in a 110 VAC (**L denotes 110V**) or a 220 VAC (**H denotes 220V**) version:

- **CB-16L:** 110 VAC, 5A, 60Hz, 1 Ph. Power
- **CB-16H:** 208–230 VAC, 2.5A, 50/60Hz, 1 Ph. Power
- **CB-28L:** 110 VAC, 6.7A, 60Hz, 1 Ph. Power
- **CB-28H:** 208–230 VAC, 3.5A, 50/60Hz, 1 Ph. Power
- **CB-36L:** 110 VAC, 60Hz, 6.7A, 1 Ph. Power
- **CB-36H:** 208–230 VAC, 3.5A, 50/60Hz, 1 Ph. Power

All three Cool Boss units described in this manual operate identically and will be referred to as Cool Boss or cooler throughout. Any differences based on the selected power supply or function, will be called out in the text by the unit's specific model number.

This manual is mandatory reading for all users of the Cool Boss Portable Evaporative Air Cooler, including anyone who sets up, operates, maintains, or repairs it.

 **DANGER** Use caution when setting up, operating, maintaining, or repairing this equipment. Failure to do so correctly could result in property damage, product damage, injury, or (in very rare cases) death. Only authorized personnel should operate this equipment. An authorized technician must perform all repairs. Do not make modifications to the unit. This voids the warranty and increases the chances of injury or property damage. Make sure to read and follow the instructions on the labels on the unit.

Keep this manual on or near the equipment so that anyone who uses or services the unit can read it. Assistance with your Cool Boss is available from your dealer, by calling Cool Boss at **(805) 933-9970**, or by emailing support@coolboss.com. You may also contact Cool Boss for parts replacement (please have the serial number and model number of your unit available).

Shipping Information

Your equipment was carefully checked before shipping. Nevertheless, you should thoroughly inspect the shipment **before** you sign to acknowledge that you received it.


When you sign the bill of lading, it tells the carrier the items on the invoice were received in good condition. **Do not sign the bill of lading until after you have inspected the shipment.** If any of the items listed on the bill of lading are missing or are damaged, do not accept the shipment until the carrier makes a notation on the bill of lading that lists the missing and/or damaged goods.

If you discover missing or damaged goods **after** you receive the shipment and have signed the bill of lading, notify the carrier at once and request the carrier to make an inspection. If the carrier will not make an inspection, prepare a signed statement to the effect that you have notified the carrier (on a specific date), and that the carrier has failed to comply with your request.

It is difficult to collect for loss or damage after you have given the carrier a signed bill of lading. If this happens to you, file a claim with the carrier promptly. Support your claim with copies of the bill of lading, freight bill, invoice, and photographs, if available. Our willingness to assist in helping you process your claim does not make us responsible for collection of claims or replacement of lost or damaged materials.

Safety Considerations

Read this manual carefully before using your new product. Do not set up or operate the product until you are familiar with all operating instructions and warnings. Do not allow anyone else to operate the product until they are also familiar with all operating instructions and warnings.

 **WARNING** **California Proposition 65.** This product can expose you to chemicals including styrene and vinyl chloride which are on a list of over 900 chemicals identified by the State of California to cause birth defects or reproductive harm. ALWAYS use this product in accordance with Cool Boss or BendPak's instructions. For more information go to www.P65Warnings.ca.gov.

Safety Information

- The product is an air-cooling device. Use it only for its intended purpose.
- The product should only be operated by authorized personnel. Children should **not** be allowed to operate the Cool Boss. Make sure all operators read and understand the warning labels and the *Installation and Operation Manual*. Keep the manual near the device at all times.
- **Never** operate the Cool Boss with a damaged power cord or plug.
- When the product is in use, keep all body parts away from it.
- Only use the product indoors in a well-ventilated area. Ensure a window or door is open to allow adequate air flow.

-
- Do not make any modifications to the product. This voids the warranty and increases the chances of injury or property damage.
 - Avoid using an extension cord as they can overheat. If you must use an extension cord, make sure it is a three conductor No. 14 AWG minimum with a three-prong plug/receptacle and does not exceed 50 ft. (15.2 m) in length. For 100 ft. (30.4 m) extensions cords use 12 AWG minimum.
 - Do not spray the outside of the unit with water. Moisture can harm the motor and other parts of the electrical system.
 - Only connect the power cord to a grounded, three-prong GFCI protected receptacle.
 - Lock at least two casters before turning on the fan.
 - Make a visual inspection of the product before using it. Check for damaged or missing parts. **Do not use the product if you find problems with the unit.** Instead, remove it from service and then contact your dealer, call Cool Boss at **(805) 933-9970**, or email Cool Boss at support@coolboss.com.
 - Do **not** operate the Cool Boss if the fan has cracked or damaged blades.
 - Do **not** operate the Cool Boss unless the Honeycool™ Evaporative Media is securely in place.
 - Do **not** operate the Cool Boss within 35 ft. (10.6 m) of an open flame or spark.
 - Do **not** operate the Cool Boss if the GFCI does not remove power when the test button is pressed.
 - **Always** remove the plug from the electrical receptacle by pulling on the plug, not the power cord.
 - Cool Boss recommends making a thorough inspection of the product at least once a year. Replace any damaged or severely worn parts, decals, or warning labels.

Save these instructions!

Symbols



DANGER

Calls attention to an immediate hazard that **will** result in death or severe injury.



WARNING

Calls attention to a hazard or unsafe practice that **could** result in death or severe personal injury.



CAUTION

Calls attention to a hazard or unsafe practice that could result in minor personal injury, product, or property damage.



Tip

Calls attention to information that can help you use your product better.

Liability Information

Cool Boss, BendPak Inc. assumes **no** liability for damages resulting from:

- Use of the equipment for purposes other than those described in this manual.
- Modifications to the equipment without prior, written permission from Cool Boss, BendPak Inc.
- Injury or death caused by modifying, disabling, overriding, or removing safety features.
- Damage to the equipment from external influences.
- Incorrect operation of the equipment.

Frequently Asked Questions

Question: Is the Cool Boss an air conditioner?

Answer: No, it is an evaporative air cooler, sometimes called a swamp cooler. The fan pulls in hot outdoor air. A water drip spray system then releases water into the Honeycool™ Evaporative Media. The water droplets evaporate when they meet the hot air, lowering the air temperature by up to 26°F. The fan then blows the cooled air in the desired direction.

Q: How much air does the Cool Boss cool?

A: Each unit can cool approximately:

Model	Airflow	Cooling Area
CB-16L / H	5,845 cfm (166 cmm)	1,330 ft ² (124 m ²)
CB-28L / H	10,645 cfm (301 cmm)	2,510 ft ² (233 m ²)
CB-36L / H	14,890 cfm (422 cmm)	3,690 ft ² (343 m ²)

Q: What is the best way to set up my Cool Boss?

A: With the back of the unit facing a source of hot, dry air and the front facing the area you want to keep cool. It will require a nearby power source. But, it is portable, so you can move the unit to where you need it.

Q: Does it require special water?

A: No, just clean, ordinary tap water.

Q: Is it hard to control the Cool Boss?

A: Not at all. There are a few, easy-to-understand controls on the unit. It also comes with a remote control, so that you can turn it on or off or change settings from wherever you happen to be.

Q: What about maintenance?

A: Very little maintenance is required. Simply keep the Water Reservoir filled with clean tap water and clean the Evaporative Media occasionally. Dirt and other pollutants from the environment can accumulate in the Media and the Reservoir, so it is best to clean them regularly. Do *not* clean the Honeycool Evaporative Media by spraying it with high pressure water while it is installed in the Cool Boss. Instead, remove the Media using the procedure in the **Maintenance Section** and clean it in accordance with the procedure found there.

Q: Anything else I should know about my Cool Boss?

A: A ducting kit is available for the CB-16L/H only. This kit attaches to the Fan outlet, allowing you to direct and concentrate the cooling to exactly where you need it.

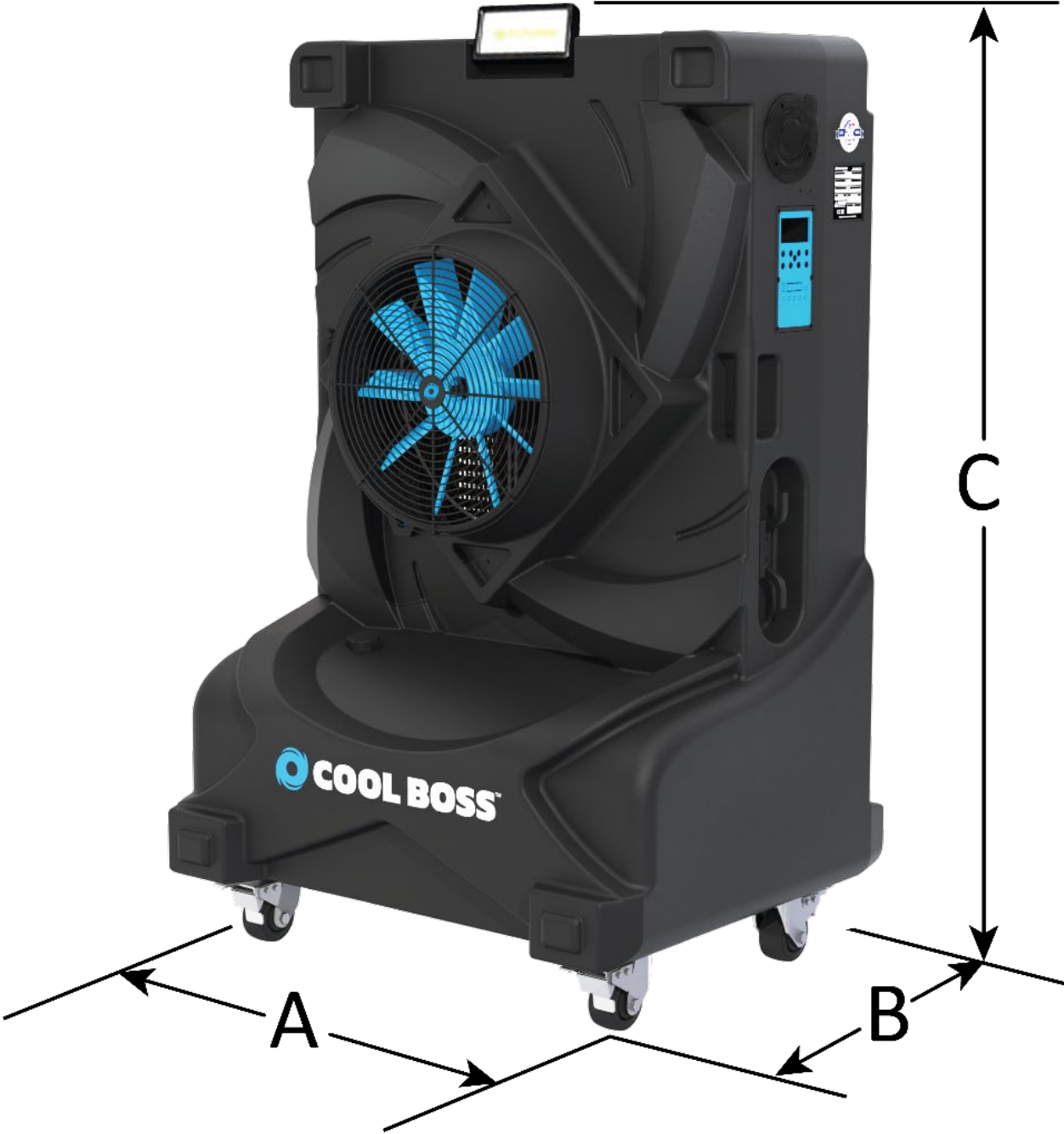
Q: Can I charge my phone on the USB port?


A: Yes, the Cool Boss includes a charge-only USB port providing 5V at 0.5 Amps. It does not transmit data.

Q: Can I stream music from my phone to the Cool Boss speakers?

A: Yes, the Cool Boss will pair with smart devices via Bluetooth® if your device is compatible with Bluetooth v5.0 and within ≈30 ft. (9 m) of the unit. Be aware that Bluetooth range may be reduced by obstacles (e.g., walls, people, and machines.) Electromagnetic interference from equipment or other Bluetooth devices will also negatively impact the actual Bluetooth range.

Specifications



Model	CB-16L / H	CB-28L / H	CB-36L / H
Dimensions (A x B x C)	41 in. x 34 in. x 66 in. (1,041 x 864 x 1,676 mm)	53 in. x 37 in. x 76 in. (1,346 x 940 x 1,930 mm)	65 in. x 44 in. x 85 in. (1,651 x 1,118 x 2,159 mm)
Fan diameter	16 in. (406 mm)	28 in. (711 mm)	36 in. (914 mm)
Weight Empty	200 lbs. (91 kg)	275 lbs. (125 kg)	398 lbs. (181 kg)
Weight Full	698 lbs. (317 kg)	939 lbs. (426 kg)	1,355 lbs. (615 kg)
Water capacity	60 gal. (228 liters)	80 gal. (303 liters)	115 gal. (436 liters)
Maximum airflow	4,960 ft ³ /min. (140.5 m ³ /min.)	8,120 ft ³ /min. (230 m ³ /min.)	10,440 ft ³ /min. (295.6 m ³ /min.)
Sound level	60 to 74 dB	58 to 72 dB	62 to 75 dB
UL® Certified	Yes	Yes	Yes
Fan RPM Min./ Max.	520 / 1,550	970 / 1,450	970 / 1,450
Maximum Power Amperage	5A	6.77A	6.77A
Motor Power HP / Watts	.75 HP / 559W	1HP / 745W	1HP / 745W
Power Source	L Models: 110 VAC, 60 Hz., Use a 15A, single phase circuit. H Models: 208 to 230 VAC, 50-60 Hz., Use a 15A, single phase circuit.		
Power Cord	15 feet (4.5 m) with GFCI		
Inlet Water Press.	≈28 to 99.5 psi (2 to 7 kg/cm ²) Max. Automatic Water Source Shutoff.		
Water Source Shutoff	The Cool Boss utilizes a Mechanical Float Valve to automatically shut off the Water Source before exceeding maximum Fill.		
Fan speed	Variable in 10 speed increments		
Fan type	Axial		
Controls	Manual pushbutton membrane panel with digital LED display or remote control.		
LED Floodlight	80W, 4000 lumens		
Housing	Rotomold Polyethylene		
Bluetooth®  5.0	Compatible with Bluetooth® v5.0		
USB	USB port is available for charging devices only. USB 2.0 specification .5 A at 5 V		

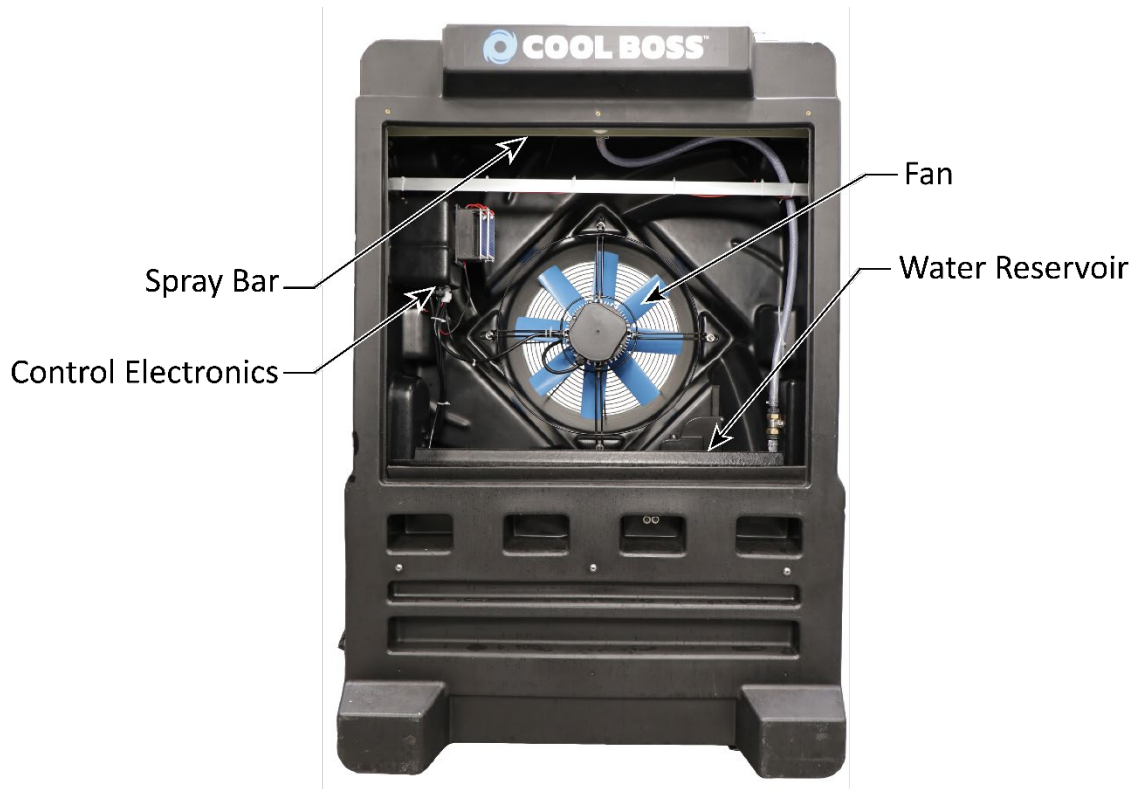
Components

The Cool Boss Unit

CB-16 pictured below.

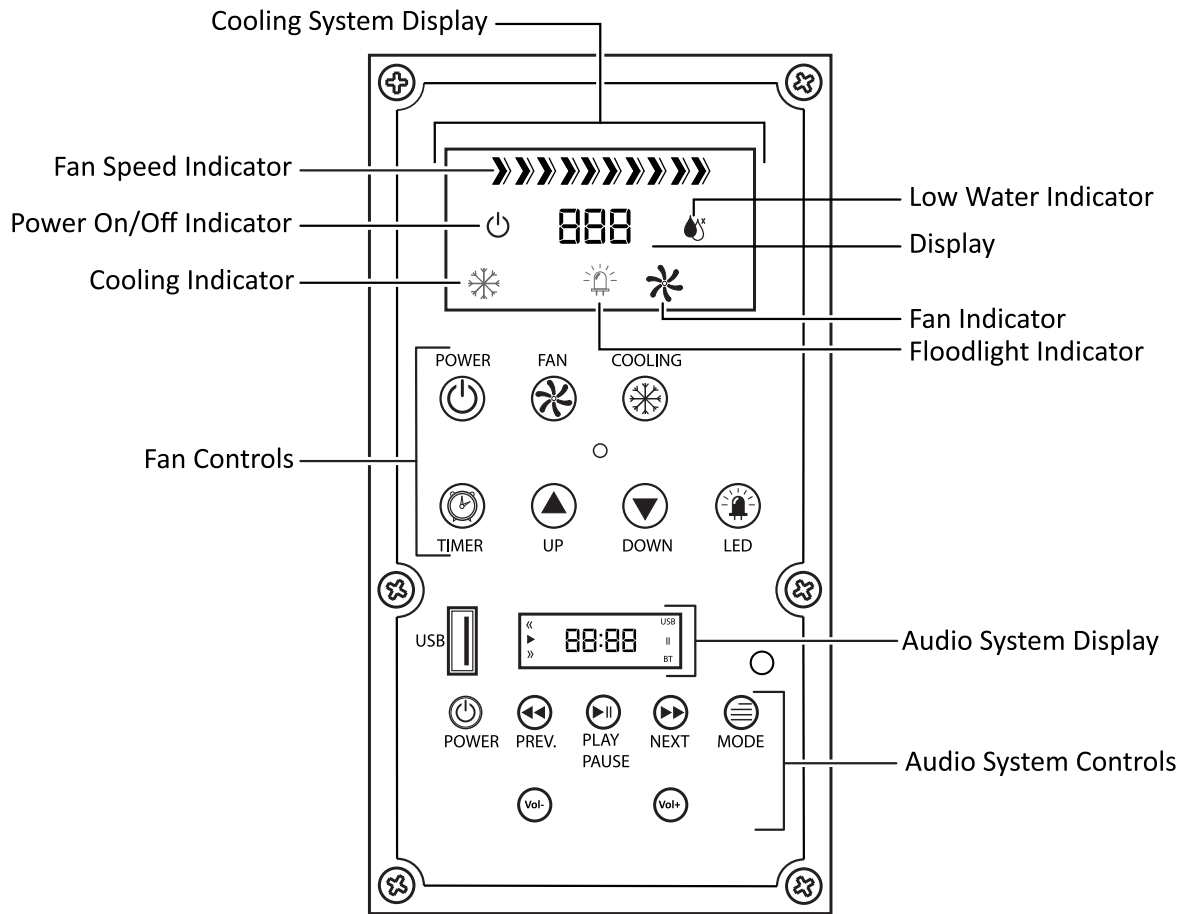


This figure below details the interior of the unit, from the back (intake side).



The Cool Boss Control Panel

The figure below details the Control Panel.



Status Display

The Control Panel's Status Display provides the on-off status of the Cool Boss functions, the fan power settings as a percentage, current temperature of the air in °F at the Cool Boss Fan, the timer status, and a low water warning.

Control Functions

Power – Push on-off. Applies power to the Cool Boss.

Fan – Push on-off. Applies power to the fan.

Cooling – Push on-off. Applies power to the pump which provides water to the Spray Bar over the Media.

Timer – Push to scroll through preprogrammed shutdown times. Allows the operator to select an automatic shutdown time in 1 hour increments. Up to 12 hours maximum.

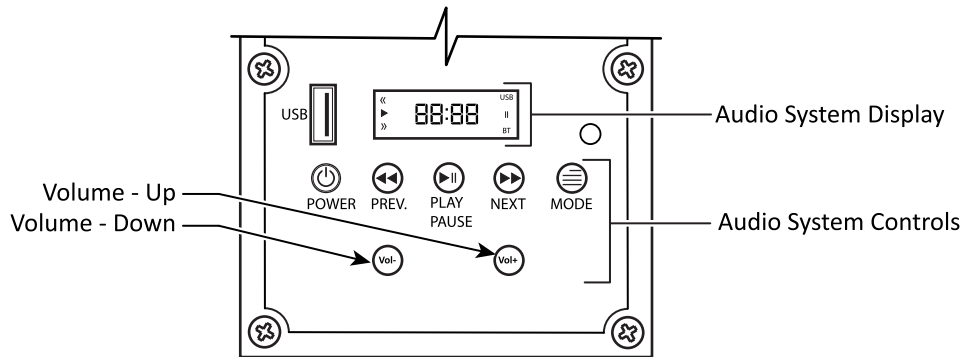
Up – Push to increase the fan speed.

Down – Push to decrease the fan speed.

LED – Push on-off. Applies power to the LED Floodlight located the top of the Cool Boss.

Audio System Display

Indicates audio input, active commands, and current audio file time.



Audio System Controls

Audio Power – Push on-off. Applies power to the Cool Boss audio.

Play Pause – Push to begin playback or pause current audio file.

Prev. and Volume Down – Quickly push-skips back to the previous audio file. Push and hold to reduce speaker volume.

Next and Volume UP – Quickly push-skips forward to the next audio file. Push and hold to increase speaker volume.

Mode – N/A.

Vol- Push to lower the speaker volume.

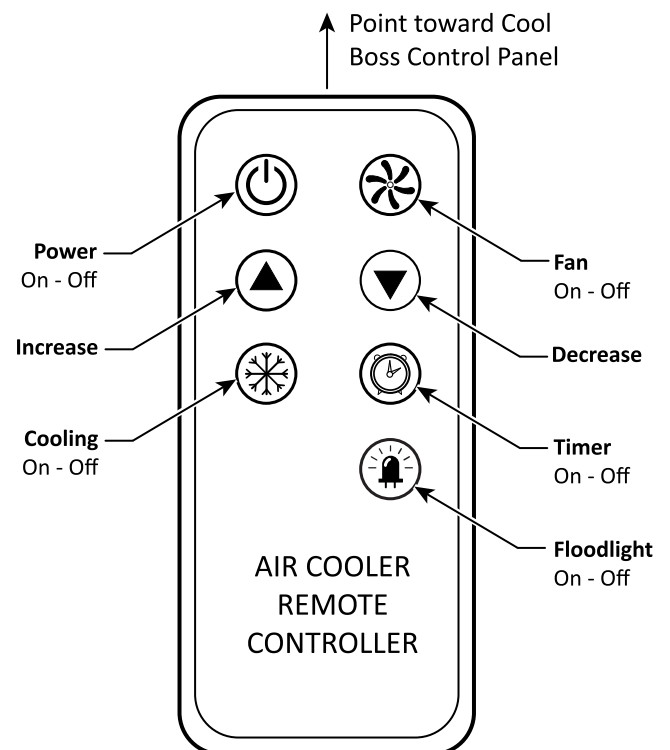
Vol+ Push to raise the speaker volume.

CAUTION **Do Not** push buttons on Control Panel or Remote Control with any Sharp Object. Damage from sharp objects is NOT COVERED under the warranty.

Remote Control

The figure below details the remote-control functions as defined above. The remote will be found in the box with the casters. The remote control requires two (2) AAA 1.5 volt batteries. (Batteries are **not** included with the Cool Boss.)

Important: The remote utilizes infrared light to communicate with the Cool Boss. The remote must be within 32 ft. (9.7 m) and have a direct line-of-sight to the Control Panel.



Setup

There are six basic steps in the Cool Boss set up.

1. Unbox.
2. Install the Casters.
3. Install the Honeycool™ Evaporative Media.
4. Determine the Cool Boss location.
5. Fill the reservoir or connect to water.
6. Connect to power.

IMPORTANT! *If setting up a 220VAC version of the Cool Boss, an electrician must install an appropriate plug conforming to national (NEC), state, and local electrical codes.*


Tools required for assembly:

- Hammer
- Pry bar
- Phillips screwdrivers
- Metric open end wrench set
- Two (2) AAA 1.5 V batteries

Unbox the Cool Boss

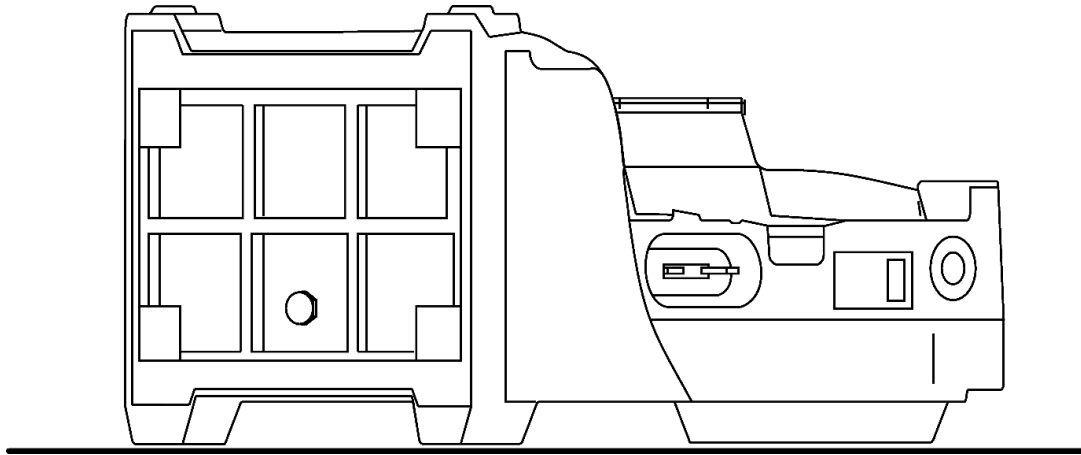
The Cool Boss Cooler is carefully packaged to prevent damage. Exercise care in removing the cooler from its packaging.

 **WARNING** Be careful not to injure yourself on sharp edges or fasteners.

 **WARNING** You must always wear the proper protective equipment during setup and assembly of this Cooler: leather gloves, steel-toed boots, and back belts.

To unbox the cooler:

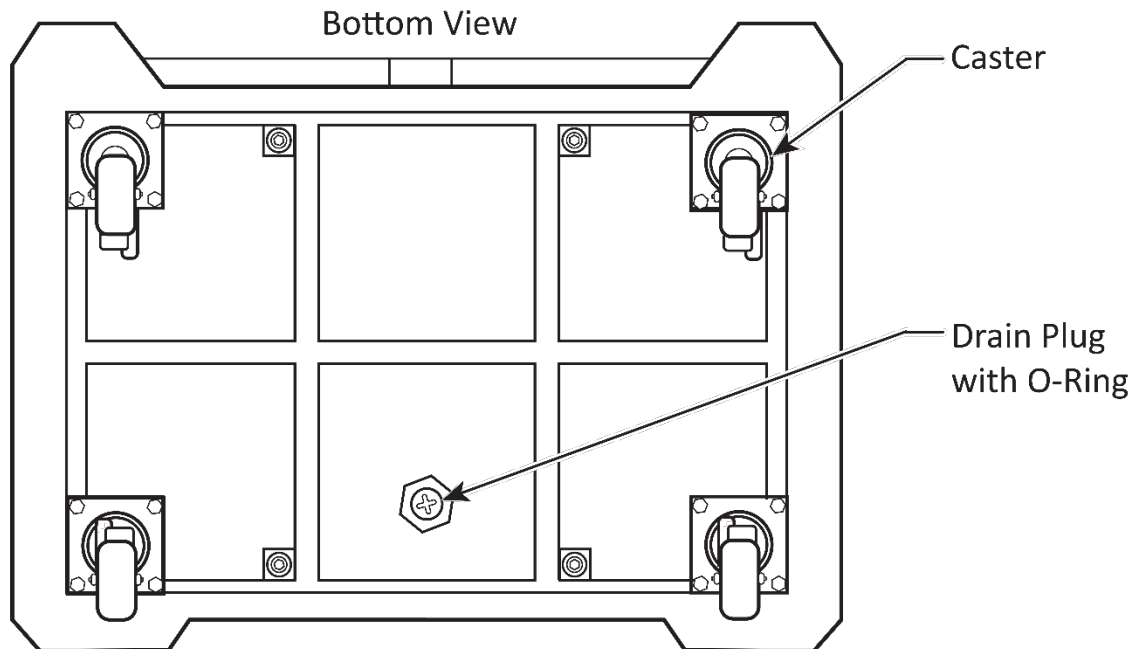
1. Use a hammer and pry bar to **carefully** remove the shipping container from around the Cool Boss.
2. Carefully position the cooler with the back side down to provide access to the bottom of the unit. The back of the shipping container may be used to provide a clear, clean area to work on the cooler. See figure below.



Install the Casters

The Cool Boss is shipped with heavy-duty locking casters to both support and allow easy movement of the cooler around your facility. The Casters are shipped in a separate box with the Remote Control.

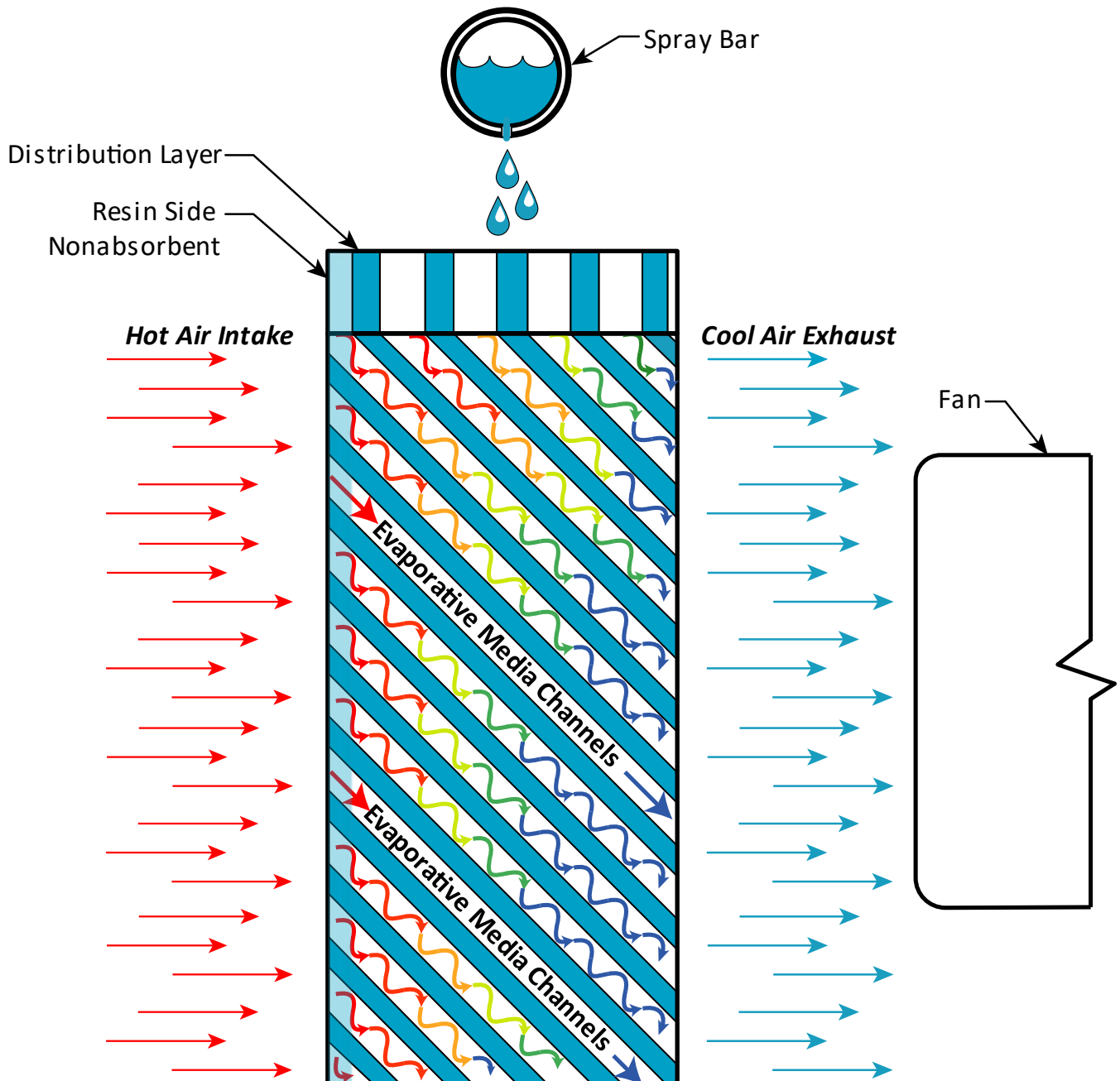
1. Locate and install the four swivel casters using the four bolts and flat washers for each caster, as detailed in the figure below.
2. Lock the two rear casters by pushing down on the larger pedal. Pushing down on the small pedal releases the lock.
3. Have an assistant help raise the Cool Boss upright and onto its casters.



Install the Honeycool™ Evaporative Media

Proper installation of the Honeycool Evaporative Media is critical to the operation of your Cool Boss. The Spray Bar saturates the Evaporative Media with water pumped from the reservoir as the Fan pulls warm air through the Media. The Honeycool Media incorporates a Moisture Lock on the hot air side made of a nonabsorbent resin which reduces evaporation and increases the Evaporative Media's cooling efficiency. The nonabsorbent resin side **must always** be installed toward the warm air side and the Distribution Layer must be orientated up to face the Spray Bar. **The internal channels within the media will direct the water flow through and inward towards the fan.** Any excess water will be directed back into the reservoir. Refer to the figure below.

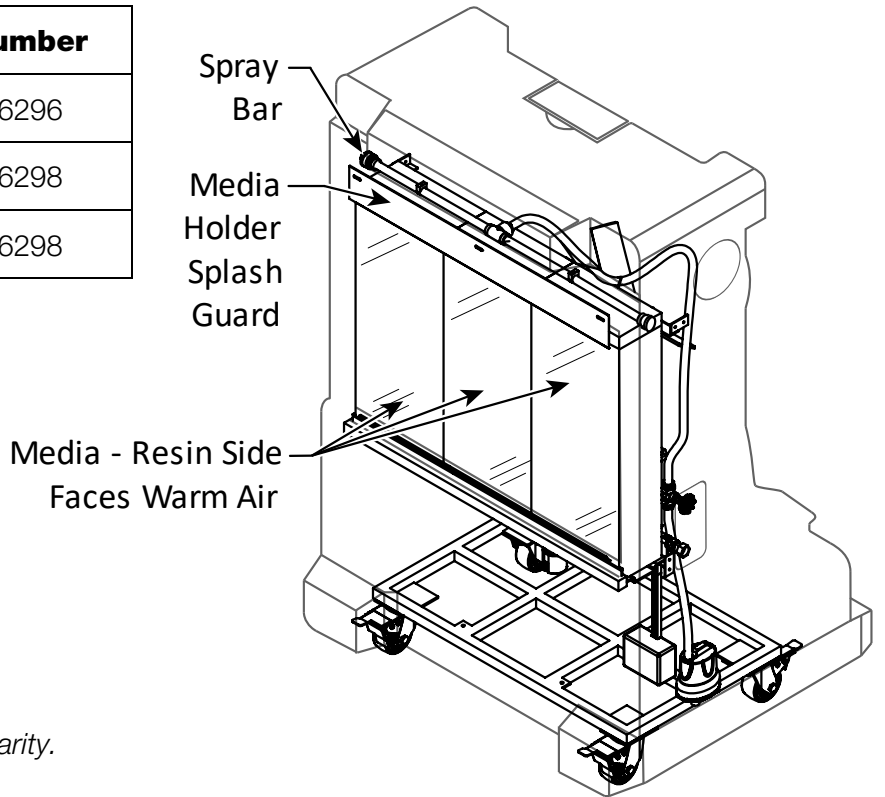
Honeycool™ Evaporative Media and Spray Bar
Cross Section View



To install the Media:

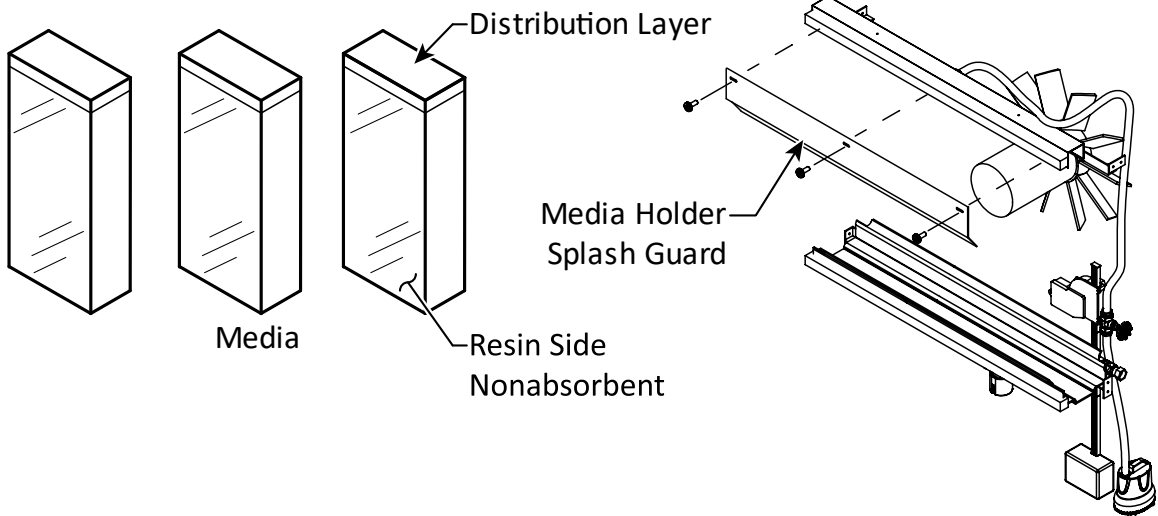
1. Retrieve the Honeycool Evaporative Media quantity for your specific Cool Boss model. Each Cool Boss model uses a different number of Media sections. Refer to the table below. **Handle the Media carefully to avoid damage.**

Model	Qty.	Part Number
CB-16	3	5326296
CB-28	4	5326298
CB-36	5	5326298



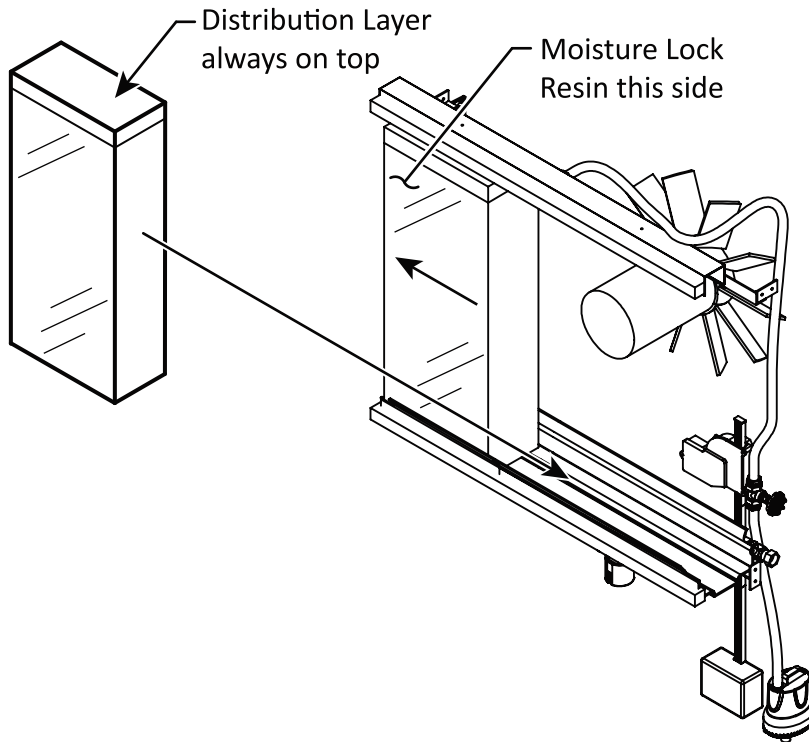
Components removed for clarity.

2. Remove and retain the screws securing the Media Holder Splash Guard. Refer to the figure below.



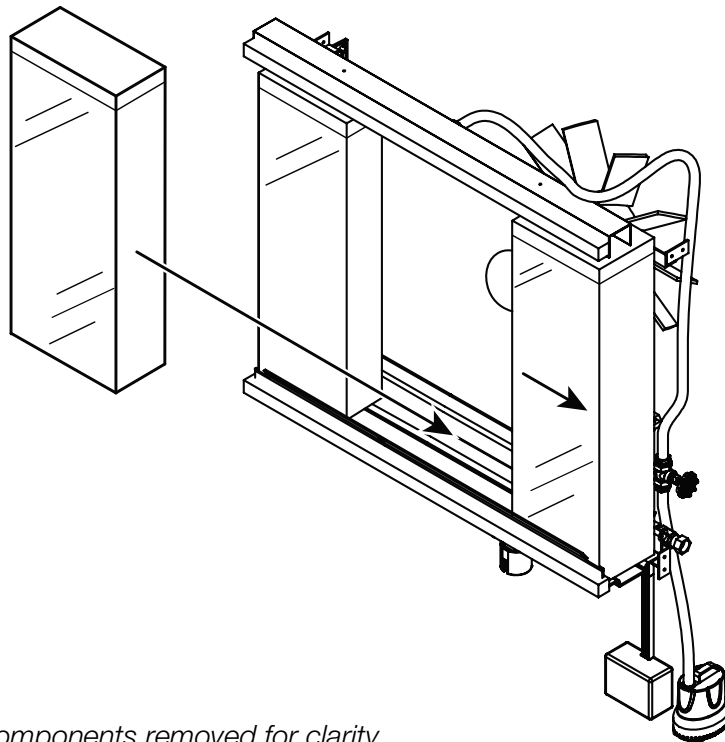
Components removed for clarity.

3. Insert one Media section into the Cool Boss. Verify the Moisture Lock Resin surface of the Media is oriented to the warm air side and the Distribution Layer is on top facing the Spray Bar. Channels in the Media are oriented to direct the water flow downward and **toward the Fan** of the Cool Boss. Slide the first Media as far to the left as possible. Refer to the figure below.



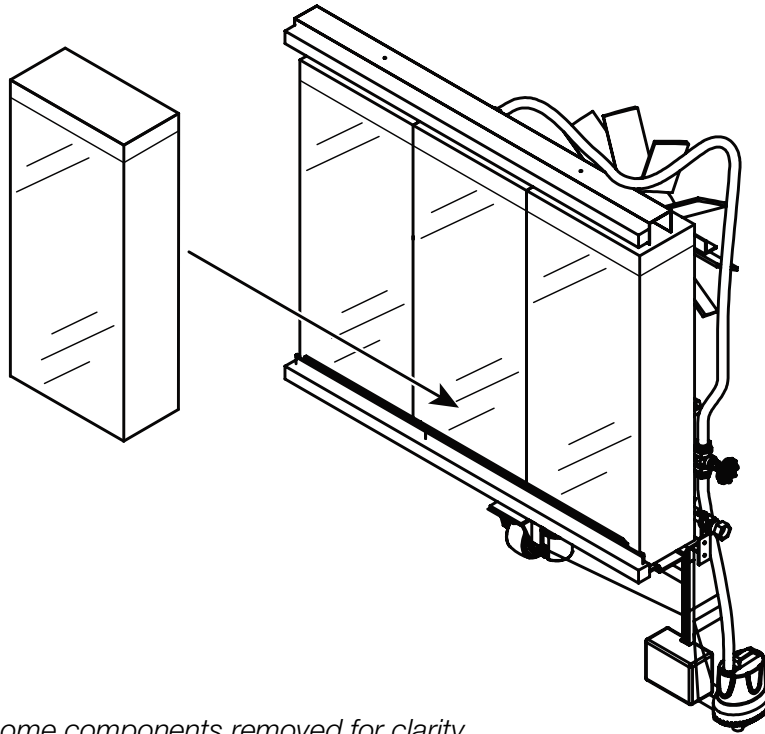
Some components removed for clarity.

4. Orient the Media as in the previous step. Install this section of Media and slide the new section as far to the right as possible.



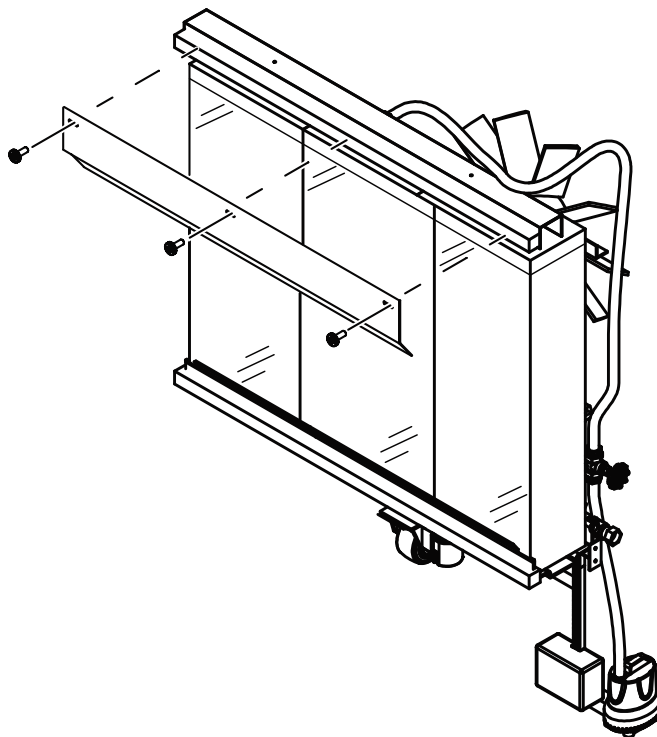
Some components removed for clarity.

-
5. Retrieve the final Media section and orient it as in the previous step. Install this last section in the open middle space.



Some components removed for clarity.

6. Install the Media Splash Guard using the screws removed in step 2.



Components removed for clarity.

Find a location for your Cool Boss

Find a suitable location for the Cool Boss (hot air to the rear, cooling area to the front). The Cool Boss should be indoors, near an appropriate power and water source, and in a low-traffic and well-ventilated area.

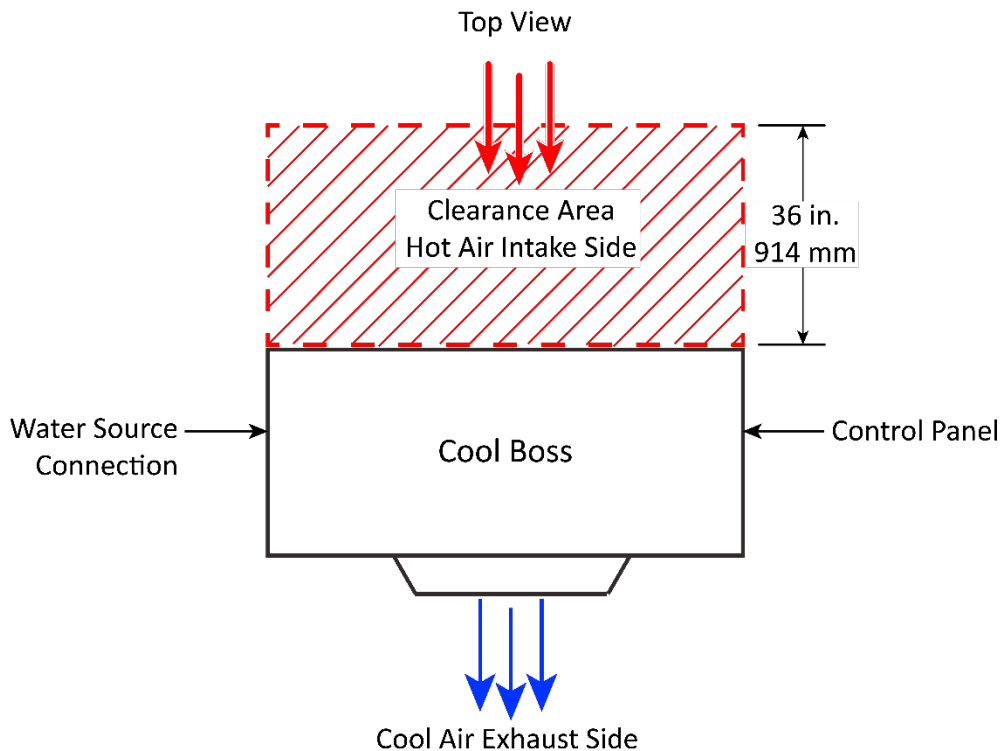
⚠ WARNING This equipment has internal arcing or sparking parts that should not be exposed to flammable vapors. The unit must not be located in a recessed area or below floor level.

⚠ WARNING Verify that the floor will support the weight of the Cool Boss with a **full** reservoir, is well constructed and stable enough to prevent the cooler from tipping over.

To choose a location for the Cool Boss Cooler:

1. Unlock the casters to allow the Cool Boss to roll. Direct the fan outlet toward the area to be cooled.

⚠ CAUTION To ensure efficient operation, the Cool Boss requires adequate airflow for intake and exhaust. Verify a window or door is open.



2. Keep 36 in. (914 mm) minimum distance behind the Cool Boss for air intake.

⚠ WARNING Verify the Power Cord and Water Supply Hose are routed to prevent a tripping hazard and are not routed under carpets or across sharp edges.

3. Once you have determined and moved the Cool Boss into position, **lock a minimum of two casters** by pressing down with your foot on the large pedal locking mechanism on each caster. To unlock the casters, press down on the small pedal.

⚠ CAUTION Do not start the Cool Boss until you have locked a **minimum** of two casters. This ensures that unintended movement caused by the thrust of the fan will not occur.

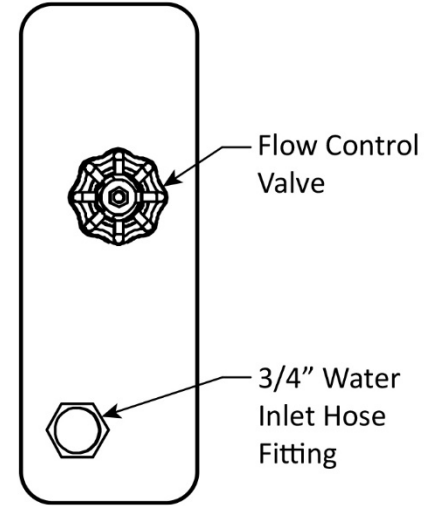
Fill the Water Reservoir

There are two options to fill the Reservoir, using a hose connected to the 3/4 in. Water Inlet Connector with Float Valve, or manually filling the Reservoir through the Reservoir Fill Inlet.

To fill the Reservoir:

1. You may connect to the Water Inlet Connector on the left side of the unit using the standard 3/4 in. hose fitting and a hose that is rated to 28 to 99.5psi / (2 to 7 kg/cm²) maximum water pressure at your location. See figure to the right. Open the facility water supply valve and verify that there are no leaks at the Cool Boss connection point. A hose is **not** supplied with the Cool Boss.

If you are utilizing the 3/4 in. Water Inlet Hose Fitting, the Reservoir Float Valve will close to stop water before the maximum fill level is exceeded.



⚠ CAUTION Do **not** connect to a water source with a supply pressure in excess of ≈ 28 to 99.5psi / (2 to 7 kg/cm²).

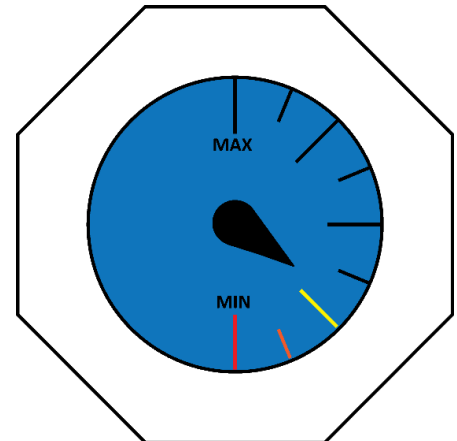
2. Alternatively, you may manually fill the Reservoir using the Water Reservoir Inlet found below the Reservoir Fill Level Gauge. Remove the threaded plug and fill.

Add **clean** water. Fill to the Max. fill level only. Do **not** overfill. Monitor the Reservoir level using the Fill Gauge located on the front of the Cool Boss. See the figure below. Water temperature must be less than 113°F (45°C).

After filling, replace the threaded plug, remove and dry any spilled water on the Cool Boss or floor around the unit.

⚠ CAUTION Use only cold, clean water to fill the Cool Boss. No detergents or additives of any kind.

Model	Water Capacity
CB-16L / H	≈ 60 gal. / 230 liters
CB-28L / H	≈ 80 gal. / 300 liters
CB-36L / H	≈ 115 gal. / 440 liters

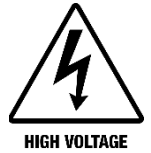


Connecting the Cool Boss to Power

Cool Boss Fans with an “L” suffix in the part number (e.g., CB-16L) are preconfigured for 110 VAC operation with the appropriate plug attached.

Cool Boss Fans with an “H” suffix in the part number (e.g., CB-16H) are setup for 220 VAC operation. Units operating at 220 VAC require an electrician to install an appropriate 220 VAC plug.

⚠ DANGER *All electrical work must be accomplished by a **licensed electrician**, in accordance with national, state, and local electrical codes. If you do not use a licensed electrician, you void your warranty and put everyone who uses the cooler in danger of injury or, in rare cases, death.*



The Cool Boss is supplied with a power cord that incorporates a Ground Fault Circuit Interrupter (GFCI). The electrician will supply and install an appropriate electrical plug in accordance with electrical codes for your locality. The **220VAC Cool Boss Fans** require 220 to 240 VAC on a properly grounded and dedicated 15 Amp circuit protected by an appropriate fuse or circuit breaker. Cool boss does not recommend connecting to an outlet controlled by a switch, unless it is rated for the full power load presented by the Cool Boss.

To connect the Cool Boss to a 220 VAC power source:

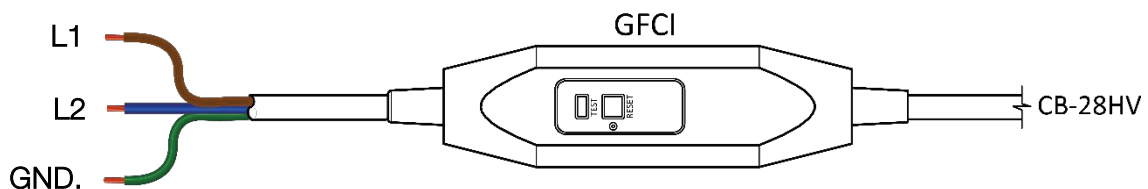
1. Verify the Cool Boss is **disconnected from the power source**.

⚠ DANGER Do not install a 220 VAC plug until you are sure that power has been disconnected from the unit. Disconnect power **before** performing **any** troubleshooting or maintenance. Lockout and Tagout power to make sure the unit cannot be re-energized until maintenance or installation is complete.

2. Verify the Cooler is configured for 220 VAC operation. Locate the Model/Serial Number plate near the Cooler Display. The operating voltage is indicated on this data plate and should indicate 220 – 240 VAC operation.
3. Have a **licensed Electrician** attach a 250 VAC NEMA 30A, 2-Pole, 3-Wire plug. This plug is not shipped with the Cool Boss. The electrician must supply the correct plug for the locality.
4. The electrician will connect the plug based on the color codes as indicated in the figure below.
5. Plug the Cool Boss power cord into a 220 VAC outlet protected by an appropriate circuit breaker. Test the unit to verify the Cooler is working normally.

⚠ WARNING Connect the Cool Boss to a properly grounded electrical receptacle protected by an appropriate fuse or circuit breaker.

⚠ WARNING Never remove the Ground Prong from the plug end of the Power Cord.



-
6. Test the unit to verify the Cooler is working normally.

Additional electrical information:

Ground Fault Circuit Interrupter (GFCI)

The Cool Boss incorporates a Ground Fault Circuit Interrupter. The GFCI acts as a Circuit Breaker in the event of a Ground Fault. A Ground Fault occurs when Voltage comes into direct contact with the equipment's frame or Ground. To test the GFCI refer to the **Maintenance Section**.

⚠ WARNING The Cool Boss must be connected to a properly grounded electrical outlet for the GFCI to function. If the Outlet is not correctly grounded or if the Power Cord is damaged, preventing the Ground connection, the GFCI cannot protect you from electrical shock.

Extension Cords

If an extension cord is required, use only cords with a polarized plug/receptacle no longer than 100 feet in length. Never use an extension cord that is not properly rated to handle the electrical load. When making connections, ensure all local and national electrical codes are adhered to.

Minimum requirements for Extension Cords	
25-50 ft. (7.6 – 15.2 m) in length	<i>Minimum 14 AWG</i>
Total to 100 ft. (30.4 m) in length	<i>Minimum 12 AWG</i>
















⚠ WARNING **For generator users and/or for areas with frequent brownout conditions.** Motor failure due to excessive high or low voltage is **not** covered under warranty. If you plan to use the Cool Boss with a generator or operate in an area with frequent brownouts, verify that the power source can provide the required current and voltage. While voltage variations are common ($\pm 5\%$) both high and low voltage episodes in excess of 15% to 20% can cause electric motor overheating and premature motor failure.

Low voltage will cause the motor to draw more electrical current to deliver the same amount of force to the fan blades. Excessive current overheats the Motor Windings, eventually burning through the insulation and resulting in complete Motor failure.

High voltage episodes can cause premature failure of electrical and electronic components due to overheating.

Operation

IMPORTANT NOTICE! Fill the water reservoir to maximum capacity before first use. Failure to do so will prevent the low-water shutoff from engaging and the fan from starting.

-  **WARNING** The Cool Boss should only be operated by authorized, trained personnel. This includes reviewing and understanding the Operation Manual and safety labels on the Cool Boss. Do **not** allow children or impaired persons to operate the Cool Boss.
-  **WARNING** **Never roll anything heavy or sharp over the power cord.** Find a location where people will not be walking over the power cord, presenting a tripping hazard.
-  **WARNING** **Never** operate the Cool Boss unless the Ground Fault Circuit Interrupter (GFCI) is functioning.
-  **WARNING** **Never** remove the Ground Prong from the plug end of the Power Cord.
-  **WARNING** **Do not** run the Power Cord under a rug or other flammable materials.
-  **WARNING** Use only in a well-ventilated open environment with a fresh air supply.
-  **WARNING** **Do not** use the Cool Boss near airborne pollutants, flammable gases and contaminants.
-  **WARNING** Ambient operating temperature must remain between 65 to 113°F (18 to 45°C).
-  **WARNING** Never spray unit with water as moisture may harm the motor or other electrical system components.
-  **WARNING** Do **not** operate near open containers of flammable liquids or gases.
-  **WARNING** **Always** maintain a minimum of 50 ft. (15.2 m) from open flame or sparks.
-  **WARNING** The Cool Boss is not designed to be used by children or persons with reduced physical, sensory, or mental capabilities or lack of experience and knowledge unless they have been given supervision or instruction concerning use by a person responsible for their safety.
-  **WARNING** Hearing protection is **required** when the Fan is operating at maximum speed and personnel are closer than 10 ft. (3 m) for prolonged periods.
-  **WARNING** **Never** operate the Cool Boss unless all the Evaporative Media sections are securely in place.
-  **WARNING** **Always** dry the Evaporative Media after use by turning off the Cooling Pump and running the Fan without circulating water. This may take from 20 to 60 minutes depending on temperature and humidity.

To operate the Cool Boss for cooling:

1. Before starting the Cool Boss, verify that the Media Holder Splash Guard is secured in place. This will reduce the chances of water splashing out of the Cool Boss and creating a slipping hazard.
2. If using the Cool Boss indoors, open a door or window. Sufficient airflow for intake and exhaust is critical.
3. Verify that the Cool Boss is connected to a water source through the 3/4 in. Hose Inlet or that the Water Reservoir is full.

⚠ CAUTION **The Cool Boss Pump will be damaged if allowed to operate without water.** A float switch incorporated into the pump prevents activation when the reservoir is empty or close to empty. **This switch must be reset by filling the reservoir to maximum capacity before use.** See the **Float Switch Reset Procedure** in Troubleshooting.

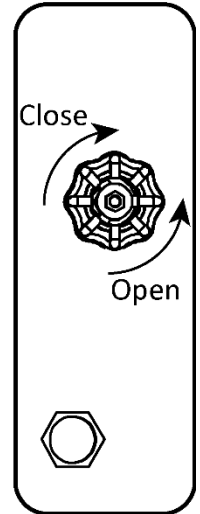
Close the Flow Control Valve (turn the Valve clockwise until it stops). See figure to the right.

4. Verify at least two of the locking casters are locked to prevent the Cool Boss from moving.
5. Plug-in the Cool Boss to an appropriate power receptacle.
6. Press **Power** on the Cool Boss Fan Controls. Refer to the Status Display on the Control Panel to determine current settings and air temperature at the Fan.
7. Press the **Fan** button to supply power to the Fan. The Fan indicator will illuminate on the Status Display. Press **Up** ▲ or **Down** ▼ to adjust the power setting to 25% or less.
8. Verify the Low Water Indicator displays Green 🟢 on the Status Display. If the Low Water indicator displays Red 🔴, verify the water source is connected and providing water under pressure. If filling manually, turn off the Cool Boss, unplug it from power and fill the Reservoir to its maximum level. The Pumps' internal low-water switch will keep the Pump in the off condition until the pump's float switch is reset. See the **Float Switch Reset Procedure** in Troubleshooting.
9. If the Low Water Indicator is Green 🟢, Press the **Cooling** button once to turn on the Pump. The Cooling indicator will light on the Status Display. See Reset under troubleshooting if the pump will not supply water to the media.
10. Slowly **open** the Flow Control Valve. Leave the Flow Control Valve on low until the top ≈30% of the Evaporative Media becomes saturated (≈30 seconds). Once the top 30% of the Media is saturated the Flow Valve may be slowly opened to increase the flow of water.

⚠ CAUTION Fully opening the Flow Control Valve onto dry Media will flood the Media faster than it can absorb the water. Water will then be forced out of the Media onto the floor and surrounding area. Carefully adjust the Flow Control to evenly saturate the Media before increasing the flow of water onto the Media and before applying more power to the Fan.

⚠ WARNING Rotating Fan Blades! Keep hands, fingers, and loose clothing away from the Fan when it is in operation.

11. Press **Up** ▲ or **Down** ▼ to adjust the Fan speed on the Control Panel or the Remote Control.



12. Increase the flow of water to increase cooling as the Evaporative Media becomes saturated. Increasing the water flow increases the humidity of the air exiting the Cool Boss. Reducing the water flow will decrease the humidity exiting the Cool Boss.

To shut down the Cool Boss:

1. **Close** the Flow Control Valve and turn **off** the Pump by pressing the Cooling button once.
2. If using the 3/4 in. Water Source Inlet, **close** the valve supplying the water to the Cool Boss.
3. Run the Fan to dry the Evaporative Media.
4. When the Media is dry press the Cool Boss power button to shut down the Cool Boss.

⚠ WARNING Always dry the Evaporative Media after use by turning off the Cooling and running the Fan without circulating water. This may take from 20 to 60 minutes depending on temperature and humidity.

To shut down the Cool Boss using the Timer:

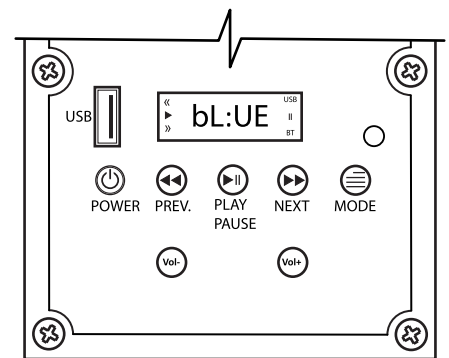
1. **Close** the Flow Control Valve and turn **off** the Pump by pressing the Cooling Button once.
2. If using the 3/4 in. Water Source inlet, **close** the Valve supplying the water to the Cool Boss.
3. Press the **Timer** button until the desired number of hours before shut-down are displayed. The Cooler will shut down based on the time entered.

Audio System Operation

The Cool Boss includes a Bluetooth v5.0 receiver that will stream audio files from your mobile device.

To use the Cool Boss Audio System with Bluetooth®:

1. Verify power is supplied to the Cool Boss.
2. Turn the Cool Boss Volume Control to a low level.
3. Press the **Power** button in the Cool Boss Audio section.
4. Press the Mode button until the **BT** is illuminated on the Audio Display section of the Cool Boss.
5. A chime will sound from the Cool Boss and **bL:UE** will appear on the audio display. Refer to the figure to the right.
6. Go to the Bluetooth settings on your mobile device and select **XF-a** from the list of available Bluetooth devices to pair.
7. A chime will sound if your mobile device was successfully paired.
8. Select and play the desired media on your mobile device.
9. Adjust the volume to your desired level.
10. To shut down the Audio System simply press the Power button once.



To charge your phone using the USB port:

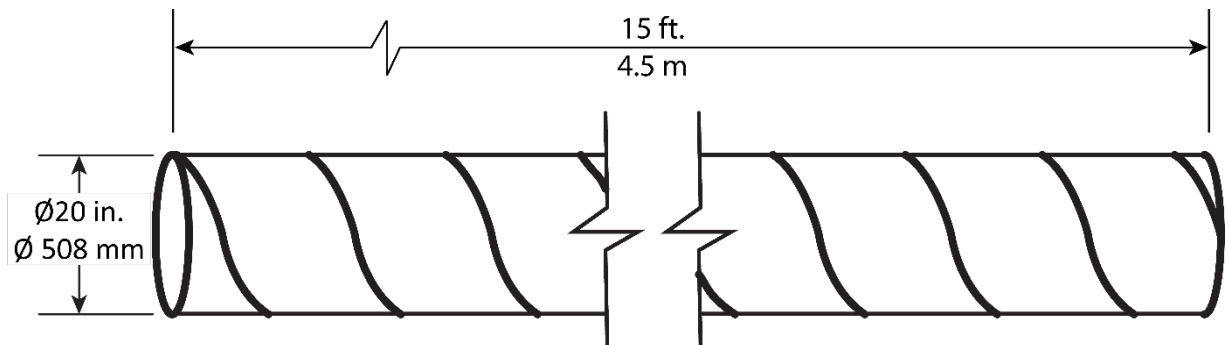
The Cool Boss includes a USB port that will charge portable electronic devices conforming to the USB 2.0 specification, delivering up to 0.5 Amps at 5 Volts. The USB port will provide power any time the Cool Boss is powered on. The USB port will **not** play audio files through the Cool Boss.

⚠ CAUTION Contaminated, wet or damaged USB connectors may cause damage to the Cool Boss Control Panel. Always verify that the USB connector you are using is clean and dry before plugging into the Cool Boss or your portable device.

1. Connect the Cool Boss to power.
2. Connect your phone to the USB connector on the Cool Boss Control Panel using an appropriate USB cable. A USB Cable is **not** provided with the Cool Boss.
3. Press the Cool Boss **Power** button, **not the Audio Section** power button.
4. Power should now be provided to the USB device.

Cool Boss Accessories - Ducting Kit

A Ø20 in. (Ø 508 mm) x 15 ft. (4.5 m) reinforced polyvinyl flexible Ducting Kit may be purchased as an accessory for the for the **CB-16L and H models only**. (SKU 5150236) The Ducting Kit allows cool air to be directed precisely where you need it. For more information and the latest Quick Start Guide for the Ducting kit go to the [Cool Boss website](http://CoolBoss.com). Coolboss.com



Maintenance

⚠ DANGER Disconnect the unit from its power source **before** performing any maintenance activities! Make sure the unit is locked out from power and cannot be energized while maintenance is being performed. If your organization has Lockout/Tag out policies, make sure to implement them before servicing the Cool Boss.

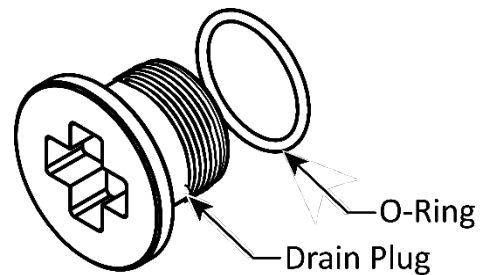
⚠ WARNING Rotating fan blades can cause severe injury! Keep hands and loose clothing clear!

⚠ WARNING Disconnect the Power Cord when cleaning the Cool Boss and exercise care to avoid splashing water on the motor or internal electronics.

To maintain the Cool Boss:

- **Daily.** Turn off the Cooling Pump and run the Fan to dry the Honeycool™ Evaporative Media and inhibit the growth of bacteria, mold, and mildew. Typically, Media drying can take 20 to 60 minutes depending on the current temperature and humidity.
- **Weekly.** Change the Cool Boss Reservoir water when it gets dirty. Dirt and other pollutants from the environment will migrate into the water and reservoir. Cool Boss recommends draining and cleaning the Reservoir weekly or more often depending on the frequency of use and the cleanliness of the environment.

⚠ CAUTION Exercise care when removing the Drain Plug on the bottom of the Reservoir. There is a sealing O-Ring on this plug that may stick to the housing or fall and become lost. See figure to the right.



- **Monthly.** Test the GFCI on the Cool Boss Power Cord once a month to ensure it is working properly and protecting from electric shock.
- **Monthly.** Clean the outside of the unit. Do **not** use harsh chemicals. Unplug the Cool Boss and wipe down the outside of the unit with a damp cloth. The frequency of use and the cleanliness of the environment will affect the frequency of cleaning required.


⚠ WARNING Do **not** spray the Cool Boss with water. The electronics are not sealed. Water can damage the motor and/or other parts of the electrical system.

- **Monthly.** Empty the Reservoir and clean it.
- **Monthly.** Remove the Media and clean as detailed below. Dirt and other pollutants from the environment can become caught in the Media. Regular cleaning will keep the air fresh and clean.

⚠ WARNING Do not operate your Cooler if you find maintenance issues. Instead, remove it from service. Assistance with your Evaporative Cooler is available from your dealer, by calling Cool Boss at **(805) 933-9970**, or by emailing support@coolboss.com. You may also contact Cool Boss for parts replacement (please have the serial number and model number of your unit available).

To clean the Reservoir:

1. The Media must be dry before removing. If the Media is wet, run the Fan without running the Cooling Pump until dry.
2. Turn off and then unplug the Cool Boss.


 **WARNING** Disconnect the unit from its power source before performing any maintenance! Make sure the unit is locked out from power and cannot be energized while maintenance is being performed. If your organization has Lockout/Tag out policies, make sure to implement them before servicing the Cool Boss.



Tip

Cool Boss recommends wearing gloves when handling the Media.


3. Remove and retain the three Splash Guard Fasteners securing the Media Holder Splash Guard and then remove the Splash Guard.
4. Remove the center Media first by pulling the top of the Media away from the Cool Boss. You may need to apply a little pressure to get the Media out. Be careful not to damage the Media.
5. Remove the remaining Media panels in the same manner.
6. Remove the plug at the bottom of the Reservoir and drain into a container or appropriate drain.

 **CAUTION** Take care to retain the O-Ring that provides a seal between the Plug and the Reservoir.

7. Remove any residual water with rags or a wet/dry vacuum.
8. Wipe with clean rags and remove any mineral deposits. Do **not** use any harsh chemicals.
9. Refill the Reservoir and replace the Media. The Cool boss is now ready to use.

To clean the Media:


1. The Media must be dry before removing. If the Pad is wet, run the Fan without running the Cooling Pump until the Pad is dry.
2. Turn off and then unplug the Cool Boss.

 **WARNING** Disconnect the unit from its power source before performing any maintenance! Make sure the unit is locked out from power and cannot be energized while maintenance is being performed. If your organization has Lockout/Tagout policies, make sure to implement them before servicing the Cool Boss.

3. Remove and retain the three Splash Guard Fasteners securing the Media Holder Splash Guard and then remove the Splash Guard.
4. Remove the center Media first by pulling the top of the Media away from the Cool Boss. You may need to apply a little pressure to get the Media out. Be careful not to damage the Media.
5. Remove the remaining Media in the same manner.
6. Rinse the Media under running water to clean and use a soft brush or rag to gently remove accumulated dirt. Do **not** use highly pressurized water or air to clean the Media.
7. Dry the Media before attempting to reinstall it in the Cool Boss.
8. Return the Media to the Cool Boss in the same orientation (Distribution Layer at the top and Moisture Lock facing the warm air). Install the bottom first and then the top. You may need to apply gentle pressure to push the top of the pad into place.

Ground Fault Circuit Interrupter (GFCI)

The Cool Boss incorporates a Ground Fault Circuit Interrupter. The GFCI acts as a Circuit Breaker in the event of a ground fault. A ground fault occurs when voltage comes into direct contact with the equipment's frame or ground. To test the GFCI refer to the **Maintenance Section**.

 **WARNING** The Cool Boss must be connected to a properly grounded electrical outlet for the GFCI to function. If the Outlet is not correctly grounded or if the Power Cord is damaged, preventing the Ground connection, the GFCI cannot protect you from electrical shock.

Troubleshooting

⚠ WARNING This Evaporative Cooler uses electrical energy. If your organization has Lockout/Tagout policies, make sure to implement them before performing any Troubleshooting.

Issue	Probable Cause	Action to Take
Control Panel inoperative.	<ul style="list-style-type: none"> • No power. • Circuit Breaker open. • Panel component failure. 	<ul style="list-style-type: none"> • Check the power supply. • Reset the circuit breaker. • Replace the panel.
Unit not working.	No power.	<ul style="list-style-type: none"> • Power cycle the unit on-off. • Verify the power supply is functional.
Fan not working or moving slowly.	<ul style="list-style-type: none"> • Fan is stuck. • Fan is broken. • Brown-out or low voltage. 	<ul style="list-style-type: none"> • Check for blockage and remove. • Repair fan. • Correct voltage supply issue.
Motor not working.	<ul style="list-style-type: none"> • Control Panel is not working. • Motor failure 	<ul style="list-style-type: none"> • Replace Control Panel. • Replace motor.
Drain leaks.	<ul style="list-style-type: none"> • Drain Plug is not tight • Drain Plug is cross-threaded. • O-Ring is missing 	<ul style="list-style-type: none"> • Tighten Drain Plug. • Replace the Plug if the thread is damaged. • Replace the O-Ring.
Fan dripping water.	<ul style="list-style-type: none"> • Water tubing is disconnected or leaking. 	<ul style="list-style-type: none"> • Check internal water connections and tubing.
Remote does not work.	<ul style="list-style-type: none"> • Battery is inoperative. • Something is obstructing receiver or remote. • Remote is out of range of the receiver. 	<ul style="list-style-type: none"> • Replace both batteries (AAA 1.5 V). • Clear the obstruction. • The remote must be within 32-ft. (10 m) and have a direct line-of-sight to the Cool Boss Control Panel.
The USB port will not charge my phone.	<ul style="list-style-type: none"> • Damaged cable or connector(s). 	<ul style="list-style-type: none"> • Replace the cable. • Check for debris in the connector • Check for bent or broken pins on the connector(s).
The Cool Boss Audio System is not playing audio through the Aux. Audio Jack.	<ul style="list-style-type: none"> • Damaged cable or connector(s). 	<ul style="list-style-type: none"> • Replace the cable.

Issue	Probable Cause	Action to Take
My Bluetooth device is not connecting.	<ul style="list-style-type: none"> • Cool Boss Audio System not on or not set to Bluetooth operation. • Smart device not paired with the Cool Boss. • Smart device is out of range. • Wireless signal interference. • Insufficient frequency available due to the number of active wireless devices in the immediate area. • Interference from 4 GHz cordless phone. 	<ul style="list-style-type: none"> • Make sure the Cool Boss Audio System is set to BT mode. BT should be illuminated on the Cool Boss audio panel. • Verify your smart device is paired with the Cool Boss Audio System and the Bluetooth function is active. • Perform the Bluetooth Pairing procedure again. • Place your Bluetooth device closer to the Cool Boss – it may be out of range. • Move your Bluetooth device and the Cool Boss away from wireless sources – you may be experiencing interference. • Turn the Cool Boss Audio System off then on again. • If you have multiple Bluetooth devices, verify you are connected to the correct device. • In heavy Wi-Fi traffic areas, multiple signals in close proximity to the Cool Boss may take up a lot of the frequency spectrum and the Bluetooth may not have any available spectrum to utilize. • Move or replace the 4 GHz cordless phone

Assistance with your Cool Boss is available from your dealer, by calling Cool Boss at **(805) 933-9970**, or by emailing support@coolboss.com. You may also contact Cool Boss for parts replacement (please have the serial number and model number of your unit available).



Float Switch Reset Procedure

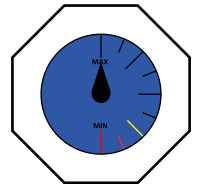
The Cool Boss Pump will be damaged if allowed to operate without water. A float switch incorporated into the pump prevents activation when the reservoir has emptied or is close to empty. This switch must be reset through the procedure described below *before* operating the Cool Boss.

To Reset the Float Switch:

1. Verify the Cool Boss is disconnected from power.
2. Fill the reservoir with water *to its maximum capacity*. This will force the Float Switch to reset.

NOTE! *Partially filling the reservoir **will not** reset the Float Switch.*

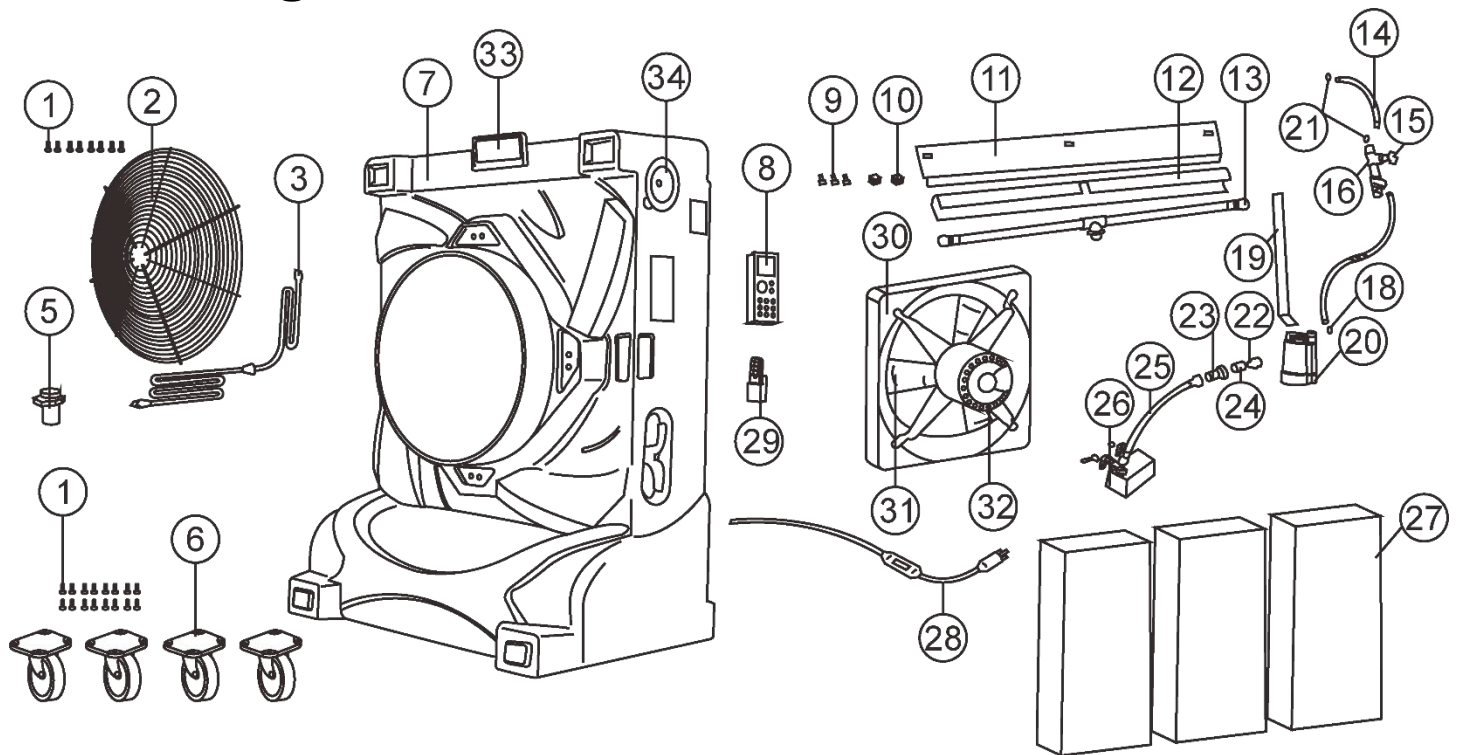
- The reservoir may be filled through the water inlet connector using a standard $\frac{3}{4}$ in. hose. The Reservoir Float Valve will close before the maximum fill level is exceeded.
 - Alternatively, the reservoir may be filled manually through the inlet found below the Reservoir Fill Level Gauge.
3. Remove and dry any spilled water around the Cool Boss.
 4. Connect the Cool Boss Evaporative Cooler to power.
 5. Press the Power button. If the Control Panel indicates a low water condition with an illuminated Red water drop symbol  and the Reservoir Fill Gauge indicates some level below maximum, the pump will not activate. Continue to add water.
 6. The Float Switch is reset when the green water drop symbol  is illuminated on the Control Panel, the Reservoir Fill Level Gauge indicates **MAX.**, and the Cooling Pump will function when the Cooling Button is pressed.



IMPORTANT! The Float switch will **NOT** reset if the Reservoir is only partially filled. The Reservoir must be filled to its maximum to reset the Float Switch.

Assistance with your Cool Boss is available from your dealer, by calling Cool Boss at **(805) 933-9970**, or by emailing support@coolboss.com. You may also contact Cool Boss for parts replacement (please have the serial number and model number of your unit available).

Parts Diagram

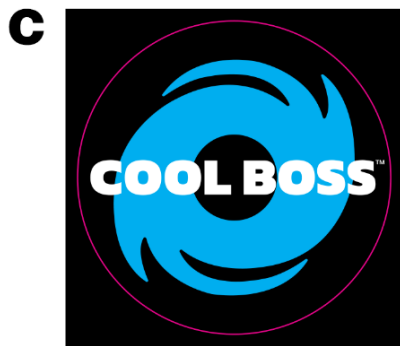
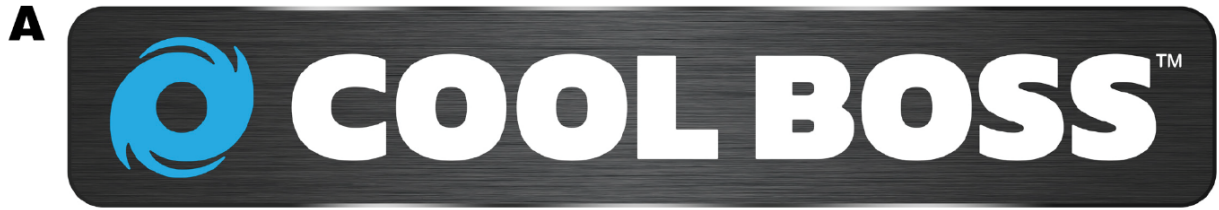


Item	Qty.	Part Number	Description
1	16	5530010	Hex Head Bolt, M8 x 1.25 x 25mm
1	16	5545340	Washer, M8 x 25mm Flat
1	16	5545202	Washer, M8 x 15mm SL
2			Grill, Protective Fan Blade
3		5326286	Electric Cord; CB-16, CB-28, CB-36 (internal cord to connect electrical components)
4			
5	1		Outlet Pipe
6	1 set	5326293	Casters Set; CB-16L/CB-16H, CB-28 L/CB-28H (4-each/4 in. (101 mm) size specific)
6	1 set	5326294	Casters Set; CB-36L / CB-36H (4-each/5 in. (127 mm) size specific)
7	1		Housing, Cooling Shell
8	1	5326288	Electronic Touch Pad Control Panel; CB-16, CB-28, CB-36 (all L/H models)

9	3		Fasteners (Splash Guard)
Item	Qty.	Part Number	Description
10	2		Switch Cover Plate
11	1		Media Holder Splash Guard
12	1		Bonnet, Spray Bar
13	2	5326301	Spray Bar End-Cap; CB-16, CB-28, CB-36 (all L/H models) 2 per unit.
14	1	5326300	Clear Tubing; CB-16, CB-28, CB-36 (all L/H models; 3/4 in. (19 mm) inside diameter x 8 ft. (2.4 m) for Constant Water Inlet Connection to Shut-off Valve and Submersible Pump to the Spray Bar)
15			Valve, Flow Control
16			Mounting Bracket, Control Valve
17			
18			Clamp, Wire Spring
19	1		Bracket, Submersible Pump Mount
20	1	5326283	Submersible Pump; CB-16L (110V)
20	1	5326284	Submersible Pump; CB-28L (110V)
20	1	5326285	Submersible Pump; CB-36L (110V)
21	2		Clamp, Wire Spring
22	1		Bolt, Float
23	1		Regulator, Inlet Water
24	1		Adapter, Hose
25			Hose, Float
26		5326295	Constant Water Inlet Shut-Off Valve; CB-16, CB-28, CB-36 (all L/H models) (Float Valve)
27	3	5326296	Honeycool™ Evaporative Media Pads; with Resin Face; CB-16L / CB-16H (3-pads for each unit)
	4	5326297	Honeycool™ Evaporative Media Pads; with Resin Face; CB-28L / CB-28H (4-pads for each unit)

	5	5326428	Honeycool™ Evaporative Media Pads; with Resin Face; CB-36L / CB-36H (5-pads for each unit)
Item	Qty.	Part Number	Description
28	1	5326292	Electric Power Cord w/ GFCI; CB-16L, CB-28L, CB-36L (voltage specific with 110v plug attached)
29		5326299	Remote Control And Holder; CB-16, CB-28, CB-36 (all L/H models)
30	1		Fan Shroud (Venturi)
31			Blade, Fan
32	1	5326289	Variable Speed Fan Motor 110V; CB-16L (voltage specific)
	1	5326290	Variable Speed Fan Motor 110V; CB-28L (voltage specific)
	1	5326291	Variable Speed Fan Motor 110V; CB-36L (voltage specific)
33	1		Floodlight, LED
34			Speaker
35			Water Level Indicator Assy.
36		5326287	Spray Bar; CB-36L/CB-36H (size specific; distributes water to the top of the media)
			Spray Bar; CB-28L/CB-28H (size specific; distributes water to the top of the media)
			Spray Bar; CB-16L/CB-16H (size specific; distributes water to the top of the media)
37			N/A
38	1	5326302	Fill Cap; CB-16, CB-28, CB-36 (all L/H models)
39	1	5326303	Protective Cover CB-16L /16H (size specific)
	1	5326304	Protective Cover CB-28L /28H (size specific)
	1	5326305	Protective Cover CB-36L /36H (size specific)

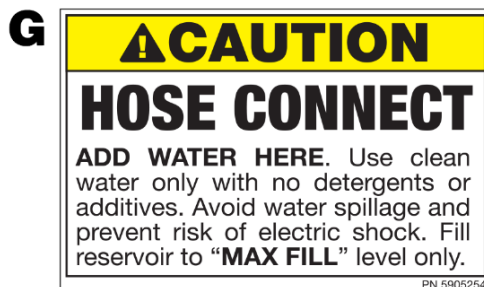
Labels



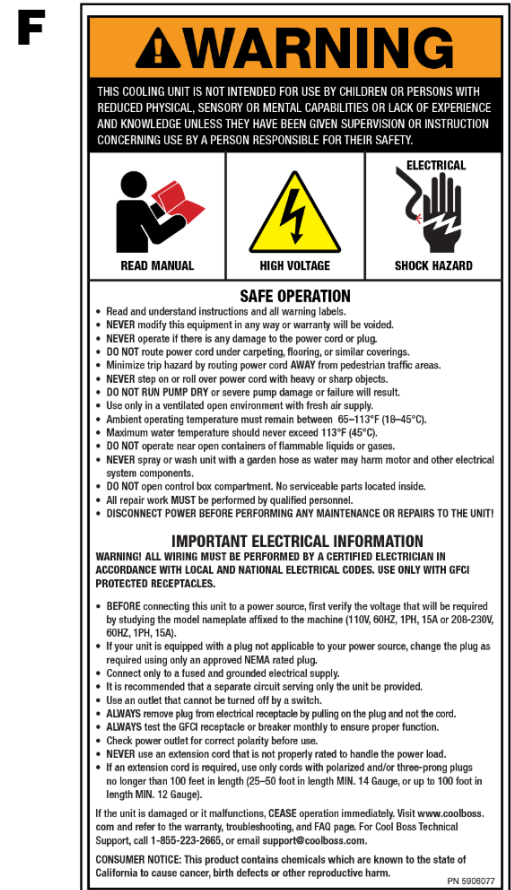
PN 5905264
PN 5905264



PN 5905259
PN 5905254



PN 5905254
PN 5905254



PN 5906077
PN 5906077

H

⚠ CAUTION

WATER FILL

ADD WATER HERE. Use clean water only with no detergents or additives. Avoid water spillage and prevent risk of electric shock. Fill reservoir to “**MAX FILL**” level only.

PN 5905258

PN 5905258

I

⚠ DANGER

Unplug unit from power source before removing media pad. Fan can start unexpectedly due to the timer control feature.

PN 5905261

PN 5905261



K

COOL BOSS
Theodore, AL USA
www.coolboss.com

MODEL NUMBER
DESCRIPTION
VOLTAGE
DATE CODE
SERIAL NUMBER
UPC

⚠ DANGER!
Disconnect Power Before Servicing

CE ENEC

WARRANTY VOID IF DATA PLATE IS REMOVED

MADE IN CHINA

PN 5905255

L

CALIFORNIA PROPOSITION 65

⚠ WARNING ⚠

WARNING! This product can expose you to chemicals including styrene and vinyl chloride which are on the list of over 900 chemicals identified by the State of California to cause cancer, birth defects or reproductive harm. **ALWAYS** use this product in accordance with the manufacturer's instructions. For more information, go to www.p65warnings.ca.gov.

PN 5905775

PN 5905775

M

NOTICE

IMPORTANT NOTICE

Fill water reservoir to **MAX** capacity before first use. Failure to do so will prevent the low-water shutoff from engaging and the fan from starting.

NOTICE

IMPORTANT NOTICE

Fill water reservoir to **MAX** capacity before first use. Failure to do so will prevent the low-water shutoff from engaging and the fan from starting.

PN 5906141

Only used on 110V “SL” & “L” Models



N

⚠ WARNING

Verify the required voltage for this unit **before** connecting to a power source. If the unit has a plug **not** compatible with your current power source, you must contact a licensed, certified Electrician.

NOTICE

IMPORTANT NOTICE

Fill water reservoir to **MAX** capacity before first use. Failure to do so will prevent the low-water shutoff from engaging and the fan from starting.

PN 5906144

Only used on 220V “SLH” “H” Models







30440 Agoura Rd.
Agoura Hills, CA 91301 USA
coolboss.com